

37218D



easYgen-300 Genset Control



Operation Manual
Software Version starting from 2.0008



Manual 37218D

**WARNING**

Read this entire manual and all other publications pertaining to the work to be performed before installing, operating, or servicing this equipment. Practice all plant and safety instructions and precautions. Failure to follow instructions can cause personal injury and/or property damage.

The engine, turbine, or other type of prime mover should be equipped with an overspeed (overtemperature, or overpressure, where applicable) shutdown device(s), that operates totally independently of the prime mover control device(s) to protect against runaway or damage to the engine, turbine, or other type of prime mover with possible personal injury or loss of life should the mechanical-hydraulic governor(s) or electric control(s), the actuator(s), fuel control(s), the driving mechanism(s), the linkage(s), or the controlled device(s) fail.

Any unauthorized modifications to or use of this equipment outside its specified mechanical, electrical, or other operating limits may cause personal injury and/or property damage, including damage to the equipment. Any such unauthorized modifications: (i) constitute "misuse" and/or "negligence" within the meaning of the product warranty thereby excluding warranty coverage for any resulting damage, and (ii) invalidate product certifications or listings.

**CAUTION**

To prevent damage to a control system that uses an alternator or battery-charging device, make sure the charging device is turned off before disconnecting the battery from the system.

Electronic controls contain static-sensitive parts. Observe the following precautions to prevent damage to these parts.

- Discharge body static before handling the control (with power to the control turned off, contact a grounded surface and maintain contact while handling the control).
- Avoid all plastic, vinyl, and Styrofoam (except antistatic versions) around printed circuit boards.
- Do not touch the components or conductors on a printed circuit board with your hands or with conductive devices.

**OUT-OF-DATE PUBLICATION**

This publication may have been revised or updated since this copy was produced. To verify that you have the latest revision, be sure to check the Woodward website:

<http://www.woodward.com/pubs/current.pdf>

The revision level is shown at the bottom of the front cover after the publication number. The latest version of most publications is available at:

<http://www.woodward.com/publications>

If your publication is not there, please contact your customer service representative to get the latest copy.

Important definitions**WARNING**

Indicates a potentially hazardous situation that, if not avoided, could result in death or serious injury.

**CAUTION**

Indicates a potentially hazardous situation that, if not avoided, could result in damage to equipment.

**NOTE**

Provides other helpful information that does not fall under the warning or caution categories.

Woodward reserves the right to update any portion of this publication at any time. Information provided by Woodward is believed to be correct and reliable. However, Woodward assumes no responsibility unless otherwise expressly undertaken.

© Woodward
All Rights Reserved.

Revision History

Rev.	Date	Editor	Change
NEW	04-10-15	TP	Release
A	05-12-14	TP	Minor corrections; MCB closing limit description added; update to reflect version V2.0006
B	06-03-23	TP	Minor corrections; wire size conversion chart added; update to reflect version V2.0007 (refer to Update Information on page 9 for more info)
C	07-09-19	TP	Minor corrections; update to reflect version V2.0008 (refer to Update Information on page 9 for more info)
D	08-12-01	TE	Minor corrections; time of motor stop added

Content

CHAPTER 1. GENERAL INFORMATION.....	9
Related Documents.....	9
Update Information.....	9
Overview	10
CHAPTER 2. EASYGEN SERIES 300 OVERVIEW	12
CHAPTER 3. ELECTROSTATIC DISCHARGE AWARENESS	13
CHAPTER 4. HOUSING	14
Dimensions / Panel Cut-Out	14
Installation	15
CHAPTER 5. WIRING DIAGRAMS.....	16
CHAPTER 6. CONNECTIONS	20
Terminal Arrangement	20
Power supply.....	21
Charging Alternator	21
Voltage Measuring	22
Voltage Measuring: Generator	23
Voltage Measuring: Mains, [350], [350X].....	25
MPU (pickup) [320X], [350X]	27
Discrete Inputs	28
Discrete Inputs: Bipolar Signals.....	28
Discrete Inputs: Operation Logic	29
Relay Outputs	30
Interfaces	31
Overview	31
CAN Bus [320X], [350X]	32
DPC - Direct Configuration Cable.....	33

CHAPTER 7. OPERATION AND NAVIGATION 34

Operation and Display 35

 Purpose of the Status LEDs 35

 Operating the easYgen 35

 Acknowledging Alarm Messages 35

 Configuring the easYgen..... 36

 Display of the Operating Values..... 36

 Default Operating Value Display 37

 Cycling Through the Displayed Operating Values 37

 J1939 Visualization [320X], [350X] 40

 Alarm Messages..... 43

 Configuration Displays 45

 Display Hierarchy 48

CHAPTER 8. FUNCTIONAL DESCRIPTION 49

Overview 49

Application Modes 50

 Application Mode {1 breaker open/close} – [320], [320X], [350], [350X] 50

 Application Mode {2 breakers open/close} – [350], [350X] 50

Operating Modes 51

 Operating Mode STOP 51

 Operating Mode MANUAL..... 52

 Operating Mode AUTOMATIC 56

Breaker Closure Limits 60

 Generator Circuit Breaker 60

 Mains Circuit Breaker 60

Functional Description of the Oil Pressure Input DI1 61

Firing Speed Detection and Crank Termination 62

Functional Description of the Charging Alternator Input/Output 63

Functional Description of the 2nd CB Close Delay Time..... 64

Functional Description of the Engine Released Signal 65

CHAPTER 9. CONFIGURATION..... 66

Restoring Default Values 66

 Resetting Via the Front Panel 66

 Resetting Via LeoPC1 66

Configuration Via the Front Panel 66

Configuration Using the PC 67

Editing the Configuration File 68

Configuring the Flags 68

CHAPTER 10. PARAMETERS 70

Measuring 71

Application 72

Engine..... 73

 Engine: Diesel 73

 Engine: Pickup 73

 Engine: Start/Stop Automatic 74

Breaker 75

Emergency Power (AMF) 75

Password 75

Monitoring	76
Monitoring: Generator	76
Monitoring: Generator Overfrequency	76
Monitoring: Generator Underfrequency	77
Monitoring: Generator Overvoltage	78
Monitoring: Generator Undervoltage	79
Monitoring: Mains	80
Monitoring: Mains Failure Limits	80
Monitoring: Engine Overspeed	83
Monitoring: Engine Underspeed	84
Monitoring: Engine Start Fail	85
Monitoring: Engine Unintended Stop	85
Monitoring: Battery Undervoltage	86
Monitoring: Battery Charge Voltage	87
Monitoring: Interface	88
Monitoring: Interface: J1939 Amber Warning Lamp DM1	89
Monitoring: Interface: J1939 Red Stop Lamp DM1	90
Discrete Inputs	91
Relay Outputs	92
Counter	94
Interfaces	95
CAN Interface	95
J1939	95
System	96
Codes	96
Factory Settings	96
Parameter Access Level	96
Flags	97
Versions	98
<u>CHAPTER 11. EVENT LOGGER.....</u>	99
GetEventLog Software	99
Installing GetEventLog	99
Starting GetEventLog	99
Resetting the Event Logger	100
<u>CHAPTER 12. TECHNICAL DATA.....</u>	101
<u>CHAPTER 13. ACCURACY</u>	103
<u>APPENDIX A. COMMON.....</u>	104
Alarm Classes	104
Conversion Factors and Charts	105
Conversion Factors: Temperature	105
Conversion Factors: Pressure	105
Conversion Chart: Wire Size	105
<u>APPENDIX B. J1939 PROTOCOL DESCRIPTIONS</u>	106
Visualizing J1939 Measuring Values with LeoPC1	106
J1939 Standard Measuring Values	106
Special EMR Messages	107
Special S6 Messages	107
<u>APPENDIX C. FRONT CUSTOMIZATION</u>	108
<u>APPENDIX D. TROUBLESHOOTING</u>	109
<u>APPENDIX E. LIST OF PARAMETERS.....</u>	114

APPENDIX F. SERVICE OPTIONS..... 120

Product Service Options..... 120

Returning Equipment For Repair..... 120

 Packing a Control..... 121

 Return Authorization Number RAN..... 121

Replacement Parts..... 121

How To Contact Woodward..... 122

Engineering Services..... 123

Technical Assistance..... 124

Illustrations and Tables

Illustrations

Figure 1-2: Functional overview	10
Figure 4-1: Housing - panel cut-out	14
Figure 5-1: Wiring diagram - easYgen-320	16
Figure 5-2: Wiring diagram - easYgen320X	17
Figure 5-3: Wiring diagram - easYgen350	18
Figure 5-4: Wiring diagram - easYgen350X	19
Figure 6-1: easYgen-300 back view - terminal arrangement	20
Figure 6-2: Power supply	21
Figure 6-3: Charging alternator input/output	21
Figure 6-4: Voltage measuring - generator 3Ph 4W	23
Figure 6-5: Voltage measuring - generator 3Ph 3W	23
Figure 6-6: Voltage measuring - generator 1Ph 3W	23
Figure 6-7: Voltage measuring - generator 1Ph 2W, phase-neutral	24
Figure 6-8: Voltage measuring - generator 1Ph 2W, phase-phase	24
Figure 6-9: Voltage measuring - mains 3Ph 4W	25
Figure 6-10: Voltage measuring - mains 3Ph 3W	25
Figure 6-11: Voltage measuring - mains 1Ph 3W	25
Figure 6-12: Voltage measuring - mains 1Ph 2W	26
Figure 6-13: MPU - principle overview	27
Figure 6-14: MPU input	27
Figure 6-15: Minimum required input voltage depending on frequency	27
Figure 6-16: Discrete inputs - alarm/control input - positive signal	28
Figure 6-17: Discrete inputs - alarm/control input - negative signal	29
Figure 6-18: Discrete inputs - alarm/control inputs - operation logic	29
Figure 6-19: Relay outputs	30
Figure 6-20: Interfaces - overview	31
Figure 6-21: Interfaces - CAN bus	32
Figure 6-22: Interfaces - CAN bus - wiring of shielding	32
Figure 6-23: Interfaces - CAN bus topology	32
Figure 7-1: Front panel and display	34
Figure 7-2: 6 digit 7 segment LED display	36
Figure 7-3: J1939 fault display	41
Figure 7-4: Additional alarm display	43
Figure 8-2: Discrete input DI1 - oil pressure	61
Figure 8-3: Starting procedure	61
Figure 8-4: Charging alternator input/output	63
Figure 8-5: AMF application with engine released signal	65
Figure 9-1: Configurable display flags	68
Figure 9-2: Flag configuration default	69
Figure 9-3: Flag configuration custom	69
Figure 10-1: Voltage/frequency hysteresis	82
Figure 10-2: Configurable display flags	97
Figure 11-1: GetEventLog - interface configuration	99
Figure 11-2: GetEventLog - event logger content	100
Figure 13-4: Paper strips	108

Tables

Table 1-1: Manual - overview.....	9
Table 2-1: easYgen series 300 product features.....	12
Table 4-1: Housing - panel cut-out	14
Table 6-1: Power supply - terminal assignment.....	21
Table 6-2: Charging alternator input/output - terminal assignment	21
Table 6-3: Voltage measuring principles	22
Table 6-4: Voltage measuring - terminal assignment - generator voltage	24
Table 6-5: Voltage measuring - terminal assignment - mains voltage	26
Table 6-6: MPU - terminal assignment.....	27
Table 6-7: Discrete input - terminal assignment - alarm/control input - positive signal	28
Table 6-8: Discrete input - terminal assignment - alarm/control inputs - negative signal.....	29
Table 6-9: Relay outputs - terminal assignment, part 1	30
Table 6-10: Interfaces - connection overview.....	31
Table 6-11: Maximum CAN bus length.....	33
Table 7-1: Display - default operating value	37
Table 7-2: Display of operating values.....	39
Table 7-3: J 1939 messages	41
Table 7-4: DM1/DM2 error message composition	42
Table 7-5: Alarm classes.....	43
Table 7-6: Alarm messages.....	45
Table 7-7: Configuration displays	48
Table 7-8: Display hierarchy	48
Table 8-1: Functional description - Overview	49
Table 8-1: Discrete input DI1 - oil pressure.....	61
Table 10-1: Relay outputs - list of configurable parameters	93
Table 11-1: Event logger - operation states	100
Table 13-1: Conversion factor: temperature	105
Table 13-2: Conversion factor: pressure	105
Table 13-3: Conversion chart: wire size	105

Chapter 1. General Information



Related Documents



Type	English	German
easYgen-300 Series		
easYgen-300 – Manual	this manual ⇌	37218
Additional Manuals		
LeoPC1 – User Manual <small>PC program for configuration, parameter visualization, remote control, data logging, language upload, alarm and user management, and event recorder management. This manual describes the use of LeoPC1 software.</small>	37146	GR37146
LeoPC1 – Engineering Manual <small>PC program for configuration, parameter visualization, remote control, data logging, language upload, alarm and user management, and event recorder management. This manual describes the programming of LeoPC1 software.</small>	37164	GR37164

Table 1-1: Manual - overview

Update Information



The software version may be checked using the PC configuration tool LeoPC1 (refer to the LeoPC1 manual for more information). The software version is indicated in the Versions section of the Parameterize screen under the last parameter "Program version".

Revision C of this manual 37218 reflects the update from Software Version 2.0007 to 2.0008. This includes the following new functionality:

- Self-acknowledgement of mains phase rotation monitoring may now be enabled (refer to Monitoring: Mains on page 80)

Revision B of this manual 37218 reflects the update from Software Version 2.0006 to 2.0007. This includes the following new functionality:

- Password protected front panel configuration
- Front panel configurable maintenance counter

The parameters HMI Password (refer to Password on page 75) and Commissioning code level (refer to Codes on page 96) are new and not contained in Software Version 2.0006.

Overview



WOODWARD

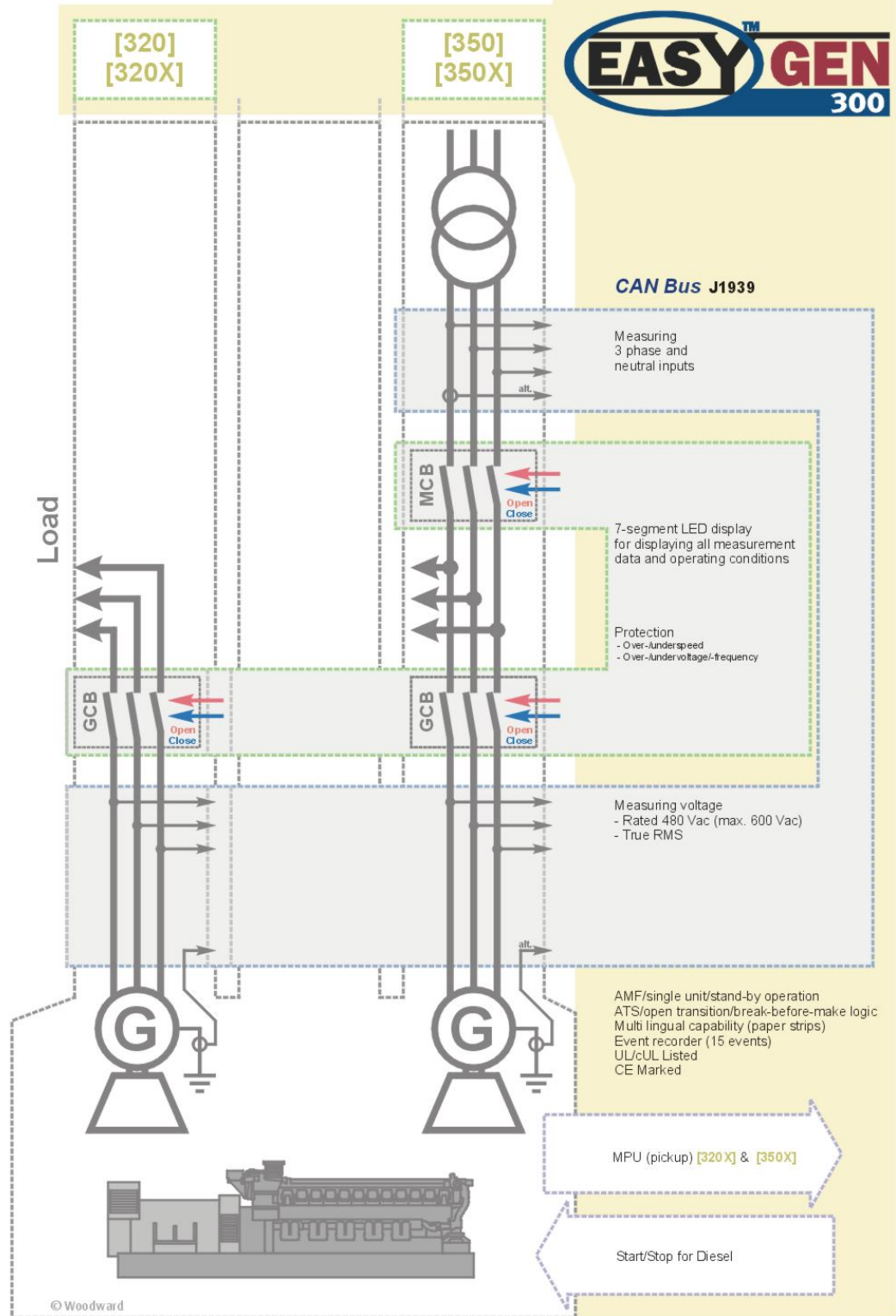


Figure 1-2: Functional overview

The easYgen-300 Series generator set controller provides the following functions:

- Genset control
- Engine and generator protection
- Engine data measurement -
 - including oil pressure and temperature, coolant temperature, battery voltage, speed, service hours, etc.
- Generator voltage measurement
- Engine crank sequencing
- Alarm display with circuit breaker trip and engine shutdown
- AMF (automatic mains failure) standby genset control with automatic engine start on a mains failure detection and open transition breaker control
- CAN bus communications to engine controllers
- Password protected configuration

Type designation is as follows:

easYgen -xxx	Option
	[] no option [X] = option X (MPU and CAN capable)
	Model
	[300] = Series [320] = Model '320' (1 circuit breaker [GCB]) [350] = Model '350' (2 circuit breakers [GCB&MCB])
Type	

Examples:

EASYGEN-320 (standard easYgen-320 with generator circuit breaker)

EASYGEN-350X (standard easYgen-350 with generator and mains circuit breaker, MPU input & CAN interface)

Intended Use The control unit must only be operated as described in this manual. The prerequisite for a proper and safe operation of the product is correct transportation, storage, and installation as well as careful operation and maintenance.



NOTE

This manual has been developed for a unit fitted with all available options. Inputs/outputs, functions, configuration screens and other details described, which do not exist on your unit may be ignored.

The present manual has been prepared to enable the installation and commissioning of the unit. Because of the large variety of parameter settings, it is not possible to cover every possible combination. The manual is therefore only a guide. In case of incorrect entries or a total loss of functions, the default settings can be taken from the enclosed list of parameters.


Chapter 2.

easYgen Series 300 Overview

The easYgen Series 300 consists of four models which are intended for different applications and requirements. This manual covers all available versions of the easYgen Series 300. Please take information about the differences between the units from this section.

Functionality \ easYgen	[320]	[320X]	[350]	[350X]
Generator voltage measurement	✓	✓	✓	✓
Mains voltage measurement	---	---	✓	✓
GCB	✓	✓	✓	✓
MCB	---	---	✓	✓
MPU (pickup) input	---	✓	---	✓
CAN bus (J 1939 protocol)	---	✓	---	✓
Password protection	✓	✓	✓	✓

Table 2-1: easYgen series 300 product features

 **NOTE**

Some parameters of the easYgen-300 series can only be configured using the Direct Configuration Cable DPC (P/N 5417-557) and a notebook/PC with the software LeoPC1. These parameters are indicated with an **L** in the parameter description under Parameters starting from page 70 and can not be configured at the unit directly.

The configuration with LeoPC1 via the DPC is described under Configuration Using the PC on page 67. The DPC is not part of the easYgen-300 shipment and sold separately (P/N 5417-557).

 **IMPORTANT NOTE ABOUT COUNTERS**

The counters for

- Operation hours
- Maintenance Interval
- Number of starts

can be recalibrated with LeoPC1 and the configuration files belonging to the unit. If 3rd party users are not allowed to change these values, you can easily remove the parameters which enable changing the counters by editing the LeoPC1 configuration files as described under Editing the Configuration File on page 68.

The counter for

- Maintenance Interval

can also be recalibrated using the front panel. You may prevent the user from recalibrating this parameter by setting a HMI password as described under Codes on page 96.

Chapter 3.

Electrostatic Discharge Awareness

All electronic equipment is static-sensitive, some components more than others. To protect these components from static damage, you must take special precautions to minimize or eliminate electrostatic discharges.

Follow these precautions when working with or near the control.

1. Before performing maintenance on the electronic control, discharge the static electricity on your body to ground by touching and holding a grounded metal object (pipes, cabinets, equipment, etc.).
2. Avoid the build-up of static electricity on your body by not wearing clothing made of synthetic materials. Wear cotton or cotton-blend materials as much as possible because these do not store static electric charges as much as synthetics.
3. Keep plastic, vinyl, and Styrofoam materials (such as plastic or Styrofoam cups, cup holders, cigarette packages, cellophane wrappers, vinyl books or folders, plastic bottles, and plastic ash trays) away from the control, the modules, and the work area as much as possible.
4. **Opening the control cover may void the unit warranty.**
Do not remove the Printed Circuit Board (PCB) from the control cabinet unless absolutely necessary. If you must remove the PCB from the control cabinet, follow these precautions:
 - Ensure that the device is completely de-energized (all connectors must be disconnected).
 - Do not touch any part of the PCB except the edges.
 - Do not touch the electrical conductors, connectors, or components with conductive devices with your hands.
 - When replacing a PCB, keep the new PCB in the protective antistatic bag it comes in until you are ready to install it. Immediately after removing the old PCB from the control cabinet, place it in the protective antistatic bag.



CAUTION

To prevent damage to electronic components caused by improper handling, read and observe the precautions in Woodward manual 82715, *Guide for Handling and Protection of Electronic Controls, Printed Circuit Boards, and Modules*.



NOTE

The unit is capable to withstand an electrostatic powder coating process with a voltage of up to 85 kV and a current of up to 40 μ A.

Chapter 4. Housing

Dimensions / Panel Cut-Out

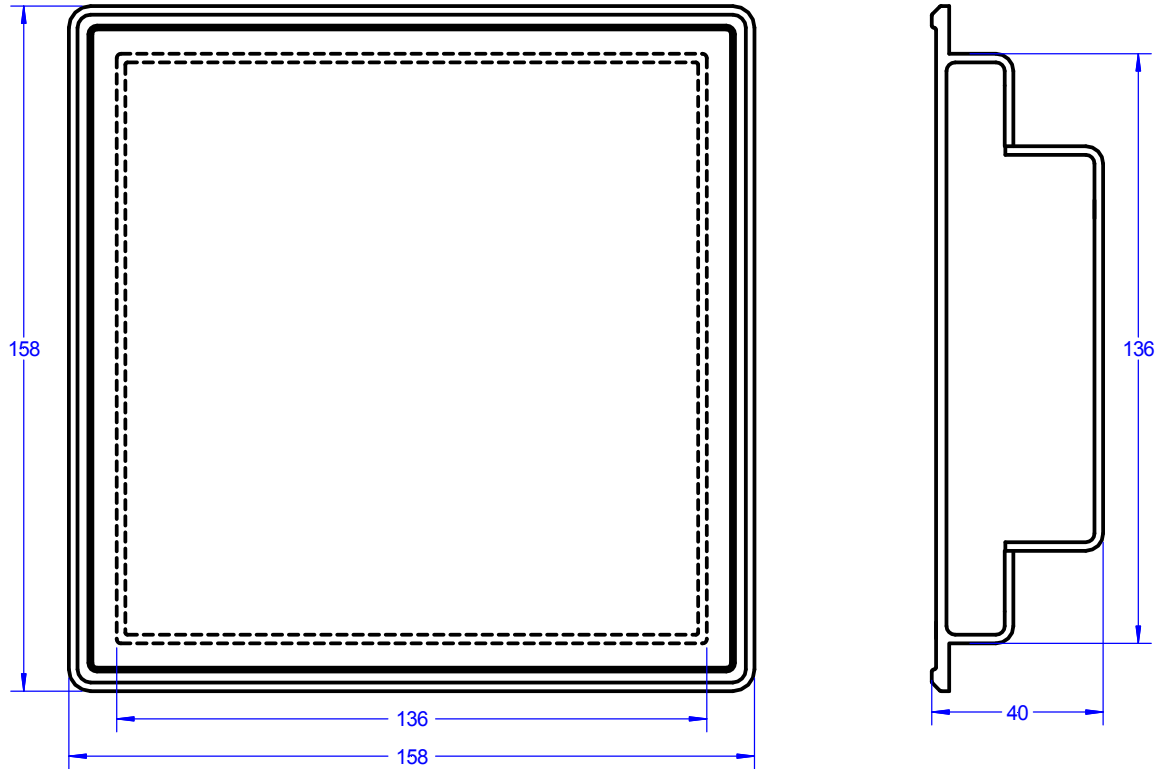


Figure 4-1: Housing - panel cut-out

Description	Dimension	Tolerance
Height	Total	158 mm
	Panel cut-out	138 mm
	Housing dimension	136 mm
Width	Total	158 mm
	Panel cut-out	138 mm
	Housing dimension	136 mm
Depth	Total	40 mm

Table 4-1: Housing - panel cut-out

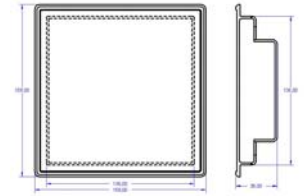
Installation



For installation into a door panel, proceed as follows:

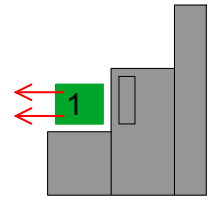
1. **Panel cut-out**

Cut out the panel according to the dimensions in Figure 4-1.



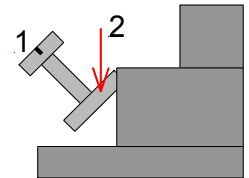
2. **Remove terminals**

Loosen the wire connection terminal screws on the back of the unit and remove the wire connection terminal strips if required (1).



3. **Loosen clamping screws**

Loosen the four clamping screws (1) until they are almost flush with the clamp inserts and tilt the clamp inserts down by 45° (2) to remove them from the housing. Do not completely remove the screws from the clamp inserts.

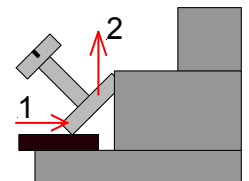


4. **Insert unit into cut-out**

Insert the unit into the panel cut-out. Verify that the unit fits correctly in the cut-out. If the panel cut-out is not big enough, enlarge it accordingly. Ensure that the gasket is placed properly if used. Ensure that the paper strip is not pinched between gasket and panel to maintain isolation.

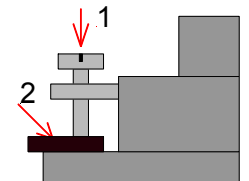
5. **Attach clamp inserts**

Re-install the clamp inserts by tilting the insert to a 45° angle (1). Insert the nose of the insert into the slot on the side of the housing. Raise the clamp insert so that it is parallel to the control panel (2).



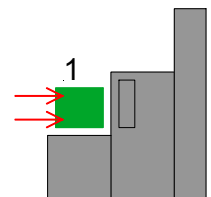
6. **Tighten clamping screws**

Tighten the clamping screws (1) until the control unit is secured to the control panel (2). Over tightening of these screws may result in the clamp inserts or the housing breaking. Do not exceed the recommended tightening torque of 0.1 Nm.



7. **Reattach terminals**

Reattach the wire connection terminal strips (1) and secure them with the side screws.



Note: If the gasket is damaged, it needs to be replaced. Use only the original gasket kit (P/N 3050-1057) for replacement.

Chapter 5. Wiring Diagrams

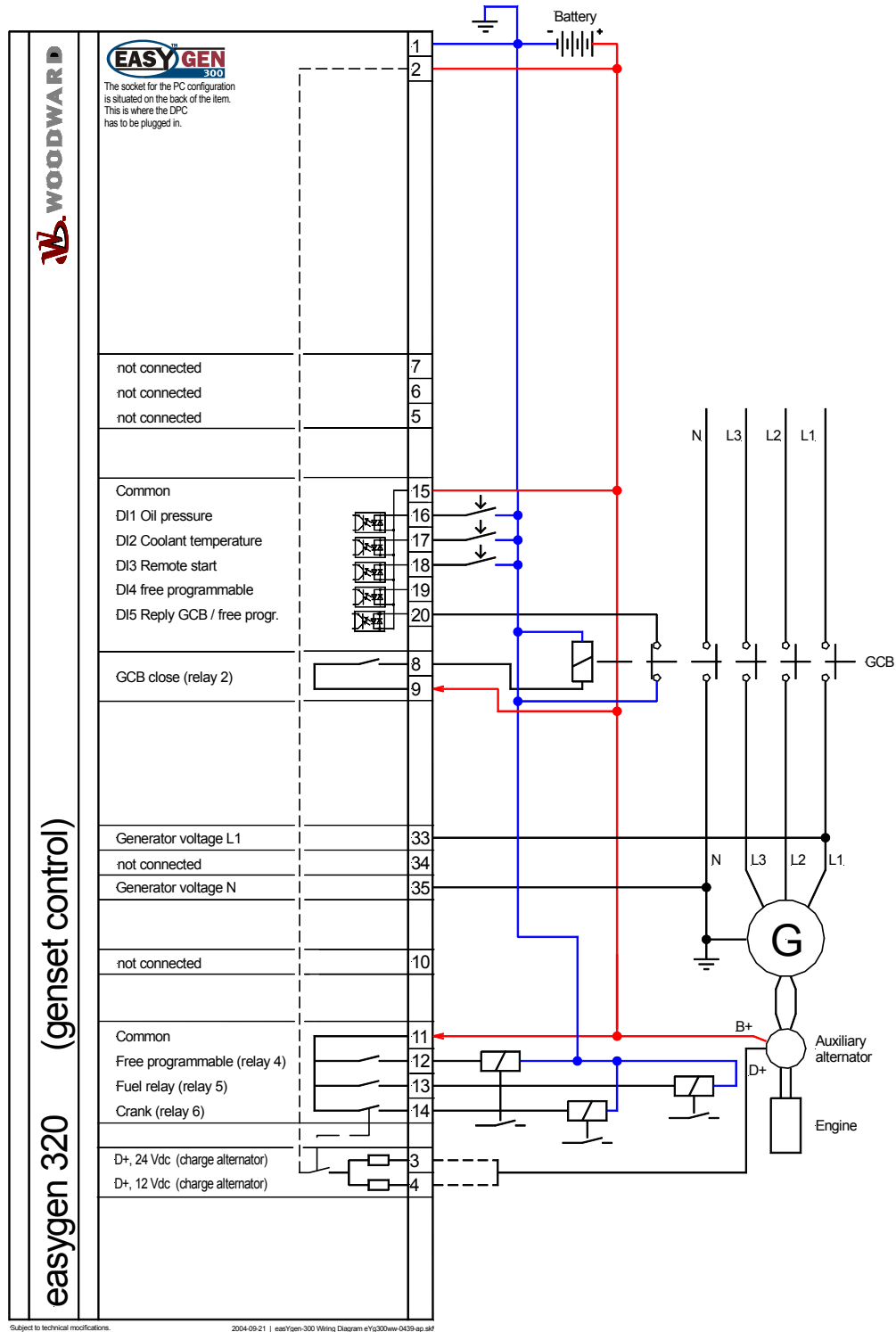


Figure 5-1: Wiring diagram - easYgen-320

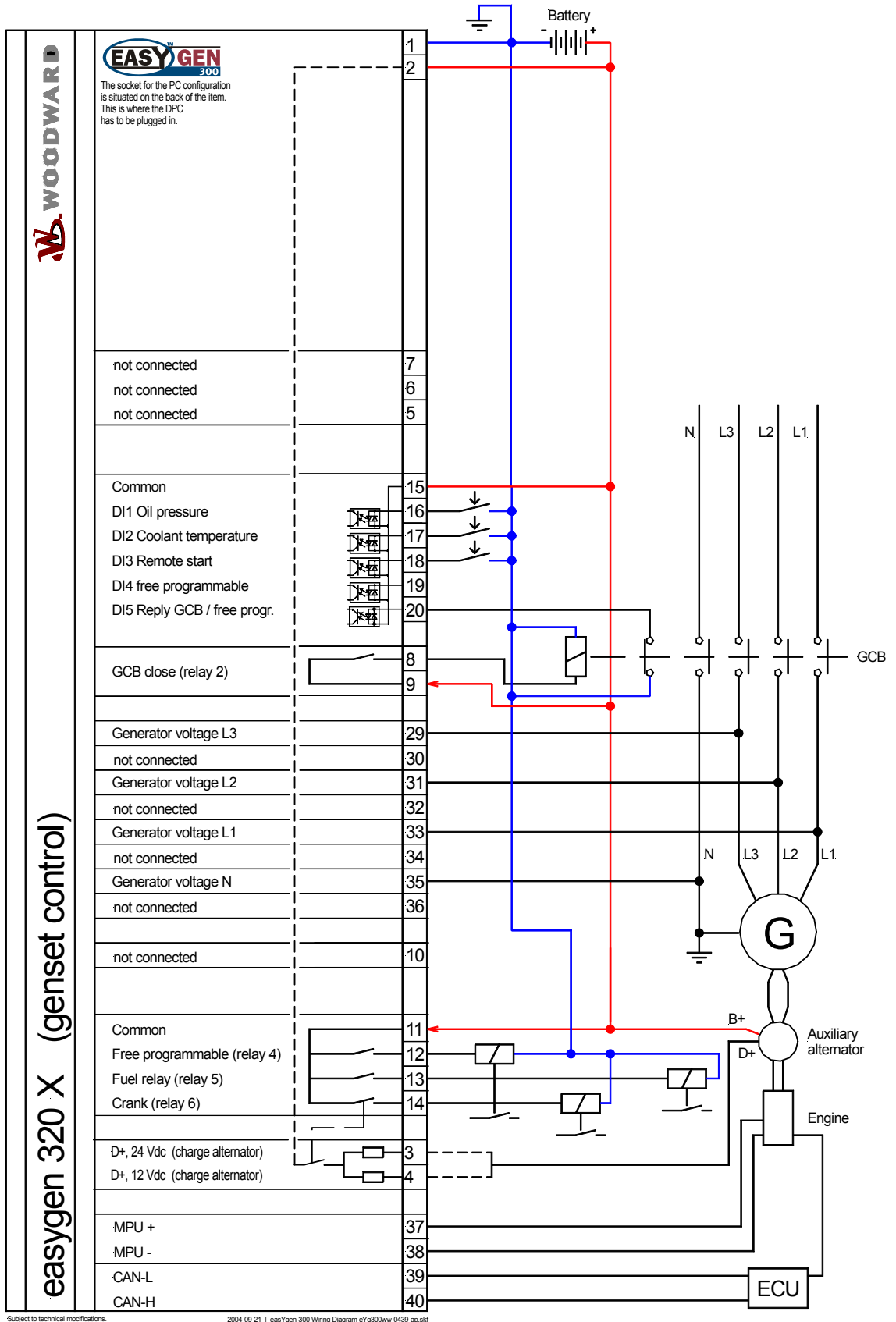


Figure 5-2: Wiring diagram - easYgen320X

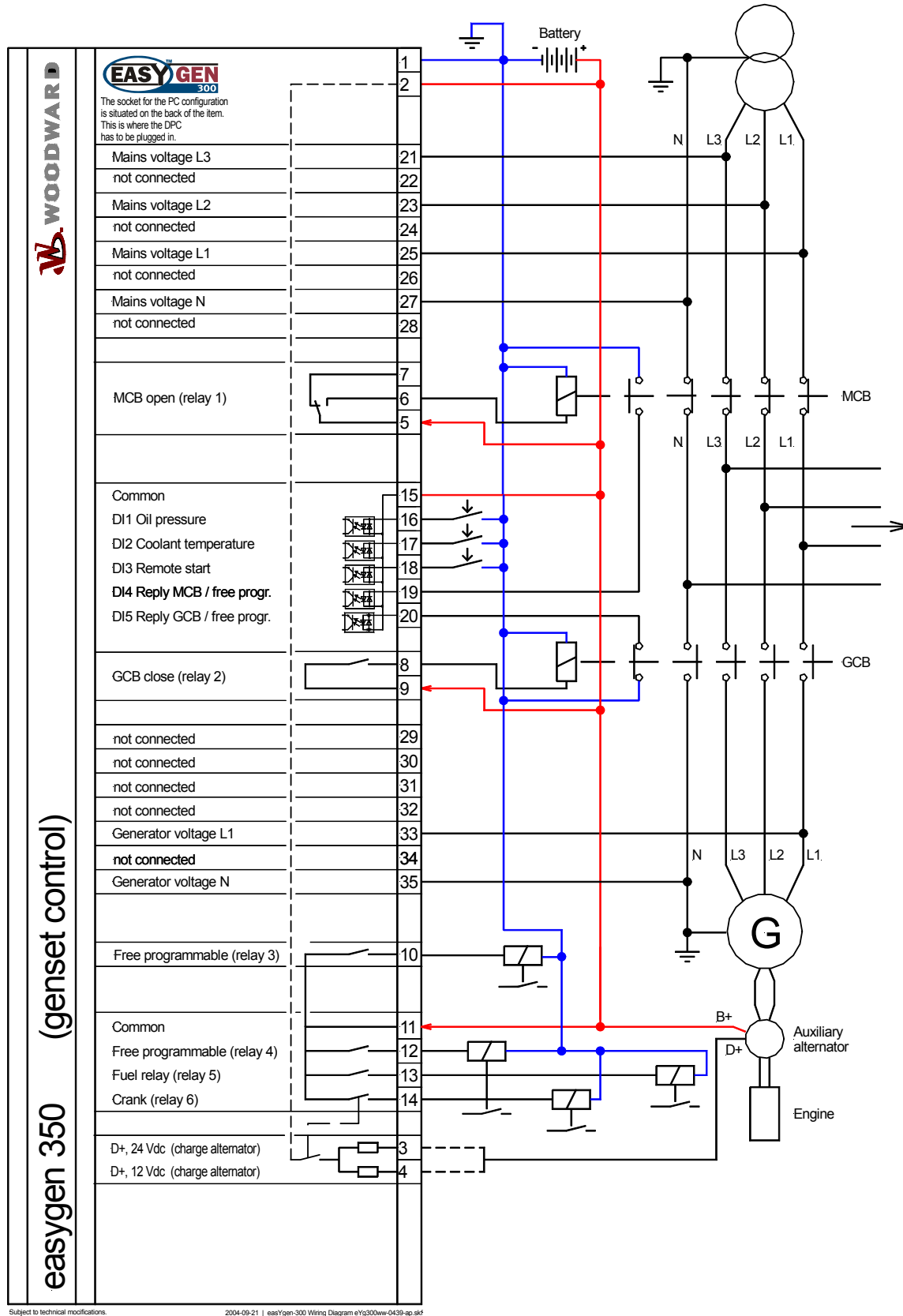


Figure 5-3: Wiring diagram - easYgen350

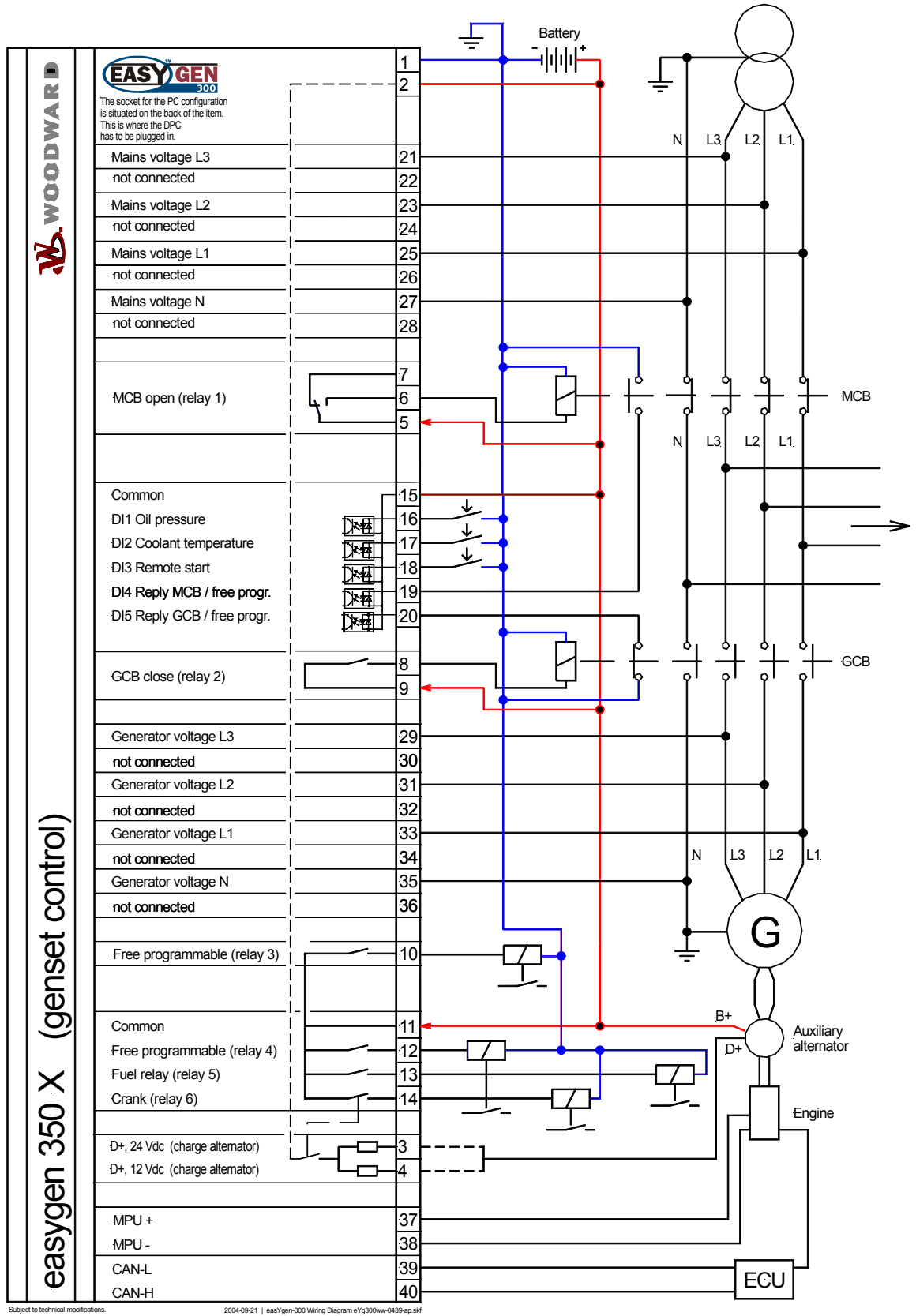


Figure 5-4: Wiring diagram - easYgen350X

Chapter 6. Connections

i **NOTE**
The wire sizes in the following chapter are indicated in square millimeters. Please refer to Conversion Chart: Wire Size on page 105 to convert the sizes to AWG.

Terminal Arrangement

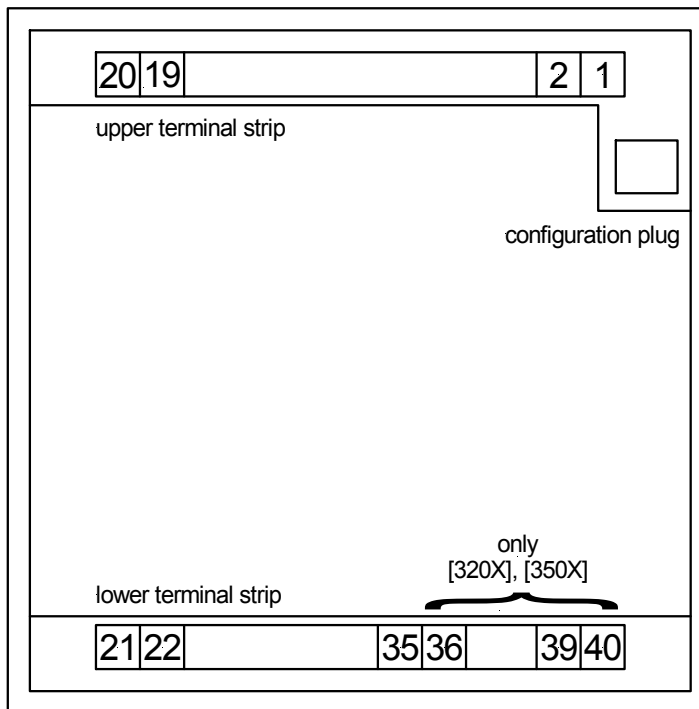


Figure 6-1: easYgen-300 back view - terminal arrangement

Power supply

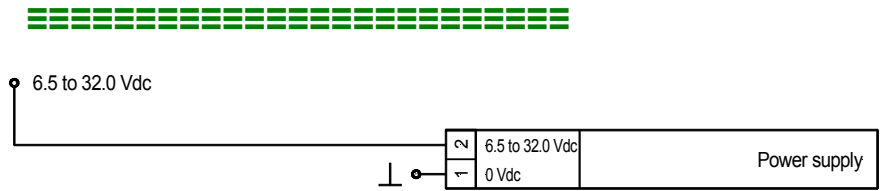


Figure 6-2: Power supply

Terminal	Description	A _{max}
1	0 Vdc reference potential	2.5 mm ²
2	6.5 to 32.0 Vdc	2.5 mm ²

Table 6-1: Power supply - terminal assignment

For a proper operation of the device, a minimum initial voltage of 10.5 Vdc is necessary when switching on the easYgen. After this, a continuous operating voltage between 6.5 and 32 Vdc is possible to operate the easYgen safely. The control unit is capable of handling voltage drops to 0 V for a maximum of 10 ms.



CAUTION

Ensure that the engine will be shut down by an external device in case the power supply of the easYgen-300 control unit fails. Failure to do so may result in damages to the equipment.

Charging Alternator

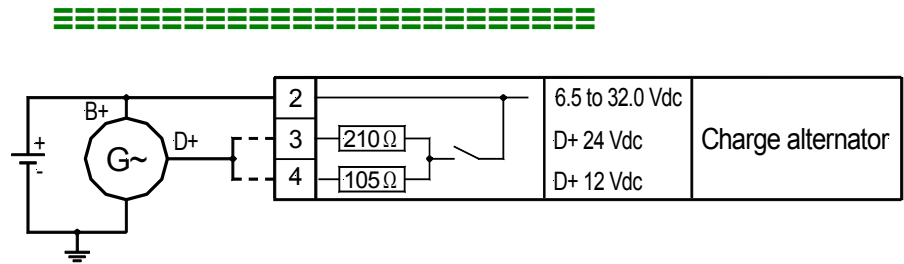


Figure 6-3: Charging alternator input/output

Terminal	Description	A _{max}
2	Battery B+	2.5 mm ²
3	Charging alternator input D+ 24 Vdc	2.5 mm ²
4	Charging alternator input D+ 12 Vdc	2.5 mm ²

Table 6-2: Charging alternator input/output - terminal assignment



CAUTION

Terminal 3 must be used for charging voltages exceeding 16 Volts. Connecting the terminals 3 and 4 incorrectly, may result in damage to the unit.



NOTE

The charging alternator D+ acts as an output for pre-exciting the charging alternator during engine start-up only. During regular operation, it acts as an input for monitoring the charging voltage. Refer to Firing Speed Detection on page 62 for more information.

Voltage Measuring



The easYgen-300 series allows the use of different voltage measuring methods for generator and mains voltage depending on the model. These are described in the following text.

Measuring method	Description
3Ph 4W	Measurement is performed phase-neutral (WYE connected system). Phase voltages and neutral conductor must be connected for proper calculation. The measurement, display and protection are adjusted according to the rules for WYE or delta connected systems. Monitoring refers to the following voltages: <ul style="list-style-type: none"> • V_{L12}, V_{L23}, and V_{L31}, or • V_{L1N}, V_{L2N}, and V_{L3N}.
3Ph 3W	Measurement is performed phase-phase (delta connected system). Phase voltages must be connected for proper calculation. The measurement, display and protection are adjusted according to the rules for delta connected systems. Monitoring refers to the following voltages: <ul style="list-style-type: none"> • V_{L12}, V_{L23}, V_{L31}.
1Ph 2W	Measurement is performed for single-phase systems. The measurement, display and protection are adjusted according to the rules for single-phase systems. Monitoring refers to the following voltages: <ul style="list-style-type: none"> • V_{L1N}.
1Ph 3W	Measurement is performed for single-phase systems. The measurement, display and protection are adjusted according to the rules for single-phase systems. Monitoring refers to the following voltages: <ul style="list-style-type: none"> • V_{L1N}, V_{L3N}.

Table 6-3: Voltage measuring principles

The above described voltage measuring methods are shown with appropriate wiring examples for the different models for generator and mains voltage measuring in Figure 6-4 to Figure 6-12.

i **NOTE**
 Please note that not all measuring methods can be performed with all models of the easYgen-300 series. The methods of measurement are indicated in the wiring diagrams for the respective models.

i **NOTE**
 LeoPC1 and a DPC cable (Revision B, P/N 5417-557) are required to configure the voltage measuring methods for all versions of the easYgen-300 series.

Voltage Measuring: Generator

Voltage Measuring: Generator 3Ph 4W, [320X], [350X]

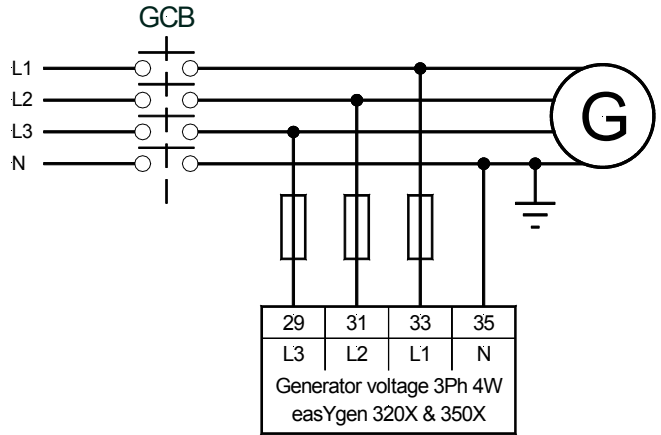


Figure 6-4: Voltage measuring - generator 3Ph 4W

Voltage Measuring: Generator 3Ph 3W, [320X], [350X]

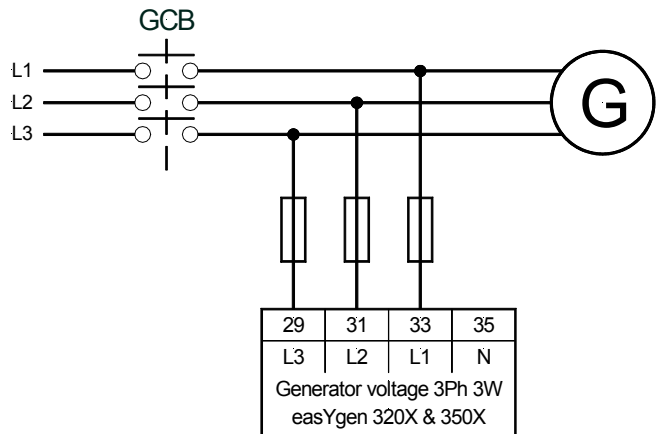


Figure 6-5: Voltage measuring - generator 3Ph 3W

Voltage Measuring: Generator 1Ph 3W, [320X], [350X]

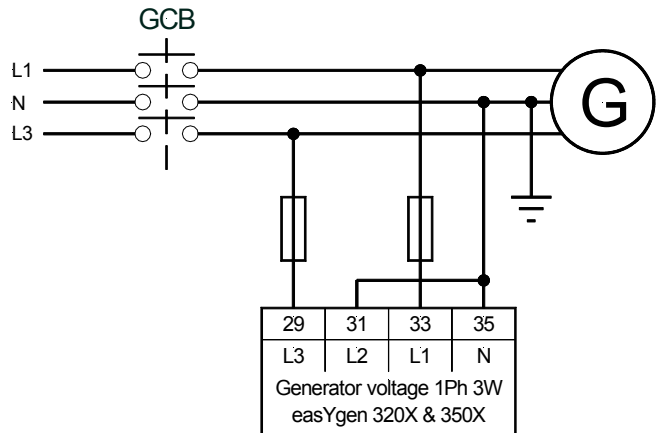


Figure 6-6: Voltage measuring - generator 1Ph 3W

Voltage Measuring: Generator 1Ph 2W, [320], [320X], [350], [350X]

Phase-Neutral Voltage Measuring

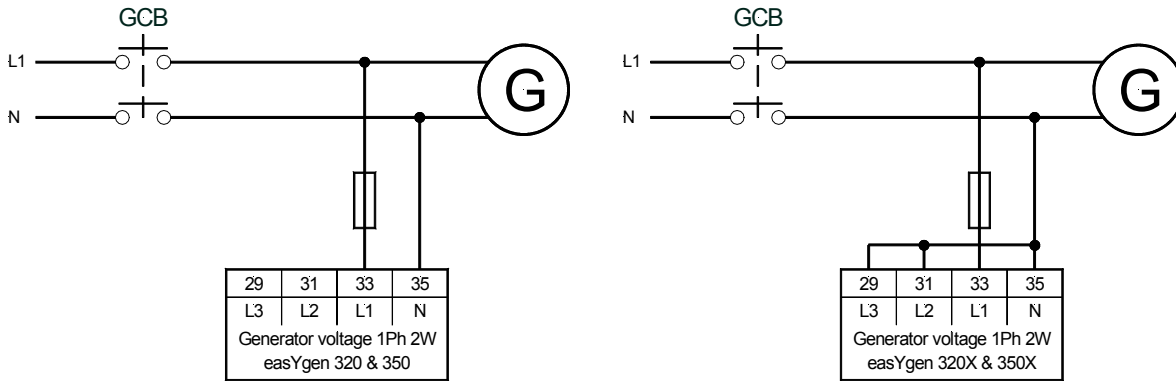


Figure 6-7: Voltage measuring - generator 1Ph 2W, phase-neutral

Phase-Phase Voltage Measuring

It is also possible to perform a phase-phase voltage measuring. The units is intended for a phase-neutral measuring as described above, but may also be used for phase-phase voltage measuring. In this case, phase L2 must be connected to the N terminal of the easYgen and the Generator rated voltage (Parameter 11) must be configured to the phase-phase voltage.

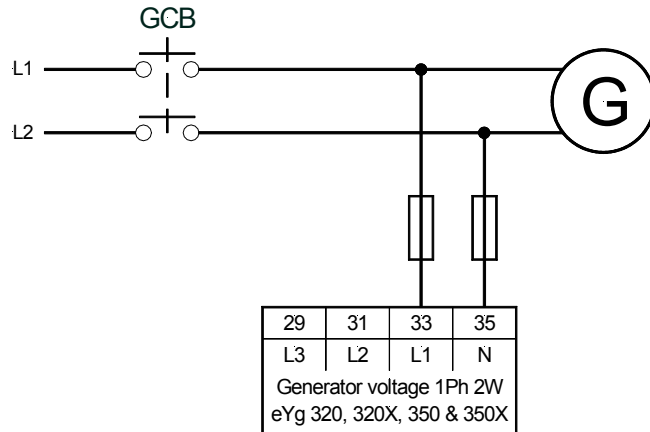


Figure 6-8: Voltage measuring - generator 1Ph 2W, phase-phase

Terminal	Description	A_{max}
29	Generator voltage - phase L3	480 Vac 2.5 mm ²
31	Generator voltage - phase L2	480 Vac 2.5 mm ²
33	Generator voltage - phase L1	480 Vac 2.5 mm ²
35	Generator voltage - phase N	480 Vac 2.5 mm ²

Table 6-4: Voltage measuring - terminal assignment - generator voltage



NOTE

If you select to perform a phase-phase voltage measuring, the display is still indicating a phase-neutral voltage since the voltage is measured between terminal 33 (L1) and 35 (N).

However, if the Generator rated voltage (Parameter 11) is configured correctly, the displayed value is the correct phase-phase voltage value.

Voltage Measuring: Mains, [350], [350X]

Voltage Measuring: Mains 3Ph 4W

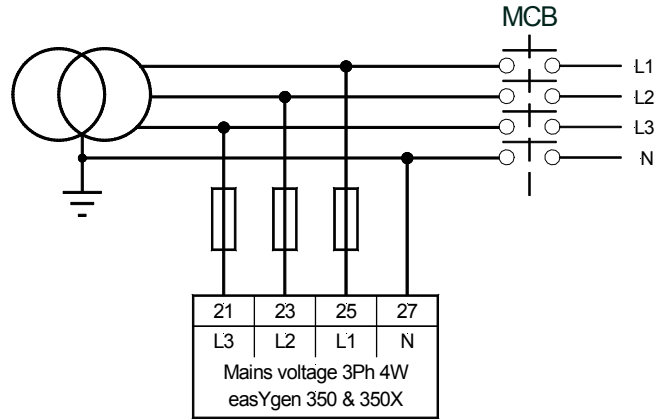


Figure 6-9: Voltage measuring - mains 3Ph 4W

Voltage Measuring: Mains 3Ph 3W, [350X]

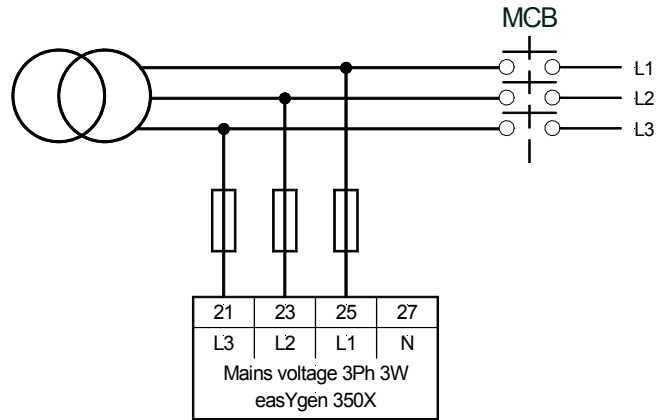


Figure 6-10: Voltage measuring - mains 3Ph 3W

Voltage Measuring: Mains 1Ph 3W, [350X]

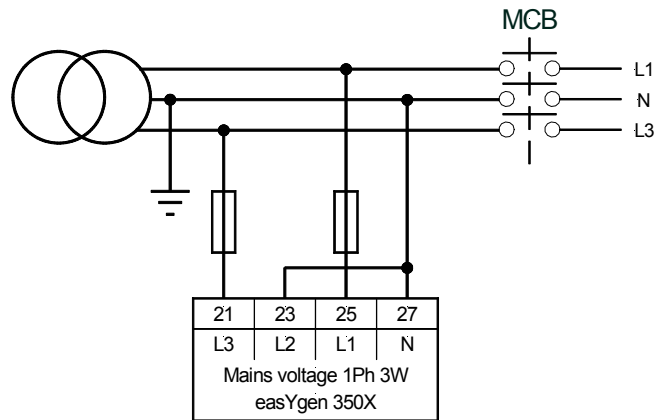


Figure 6-11: Voltage measuring - mains 1Ph 3W

Voltage Measuring: Mains 1Ph 2W, [350X]

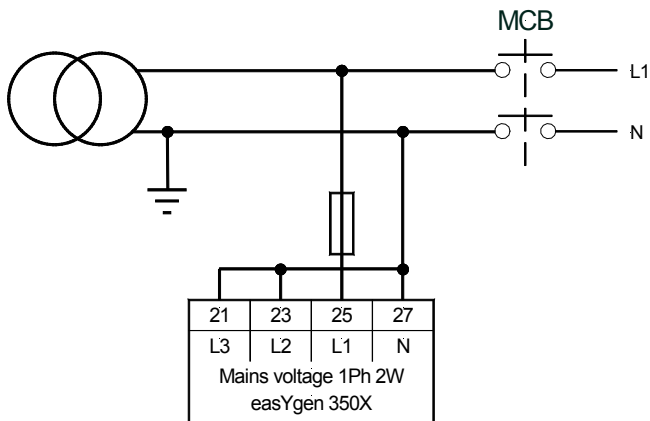


Figure 6-12: Voltage measuring - mains 1Ph 2W

Terminal	Description		A _{max}
21	Mains voltage - phase L3	480 Vac	2.5 mm ²
23	Mains voltage - phase L2	480 Vac	2.5 mm ²
25	Mains voltage - phase L1	480 Vac	2.5 mm ²
27	Mains voltage - phase N	480 Vac	2.5 mm ²

Table 6-5: Voltage measuring - terminal assignment - mains voltage

MPU (pickup) [320X], [350X]

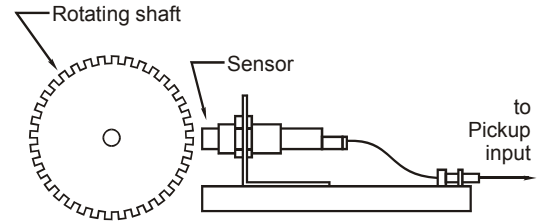


Figure 6-13: MPU - principle overview

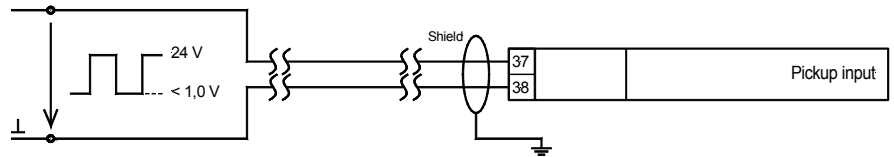


Figure 6-14: MPU input

Terminal	Description	A_{max}
37	MPU input	inductive/switching 2.5 mm ²
38		GND 2.5 mm ²

Table 6-6: MPU - terminal assignment



NOTE

The shield of the MPU connection cable must be connected on one side to a ground terminal of the cabinet near the easYgen. The shield must not be connected at the MPU side of the cable.



NOTE

The input frequency of the MPU must be limited to 14 kHz.

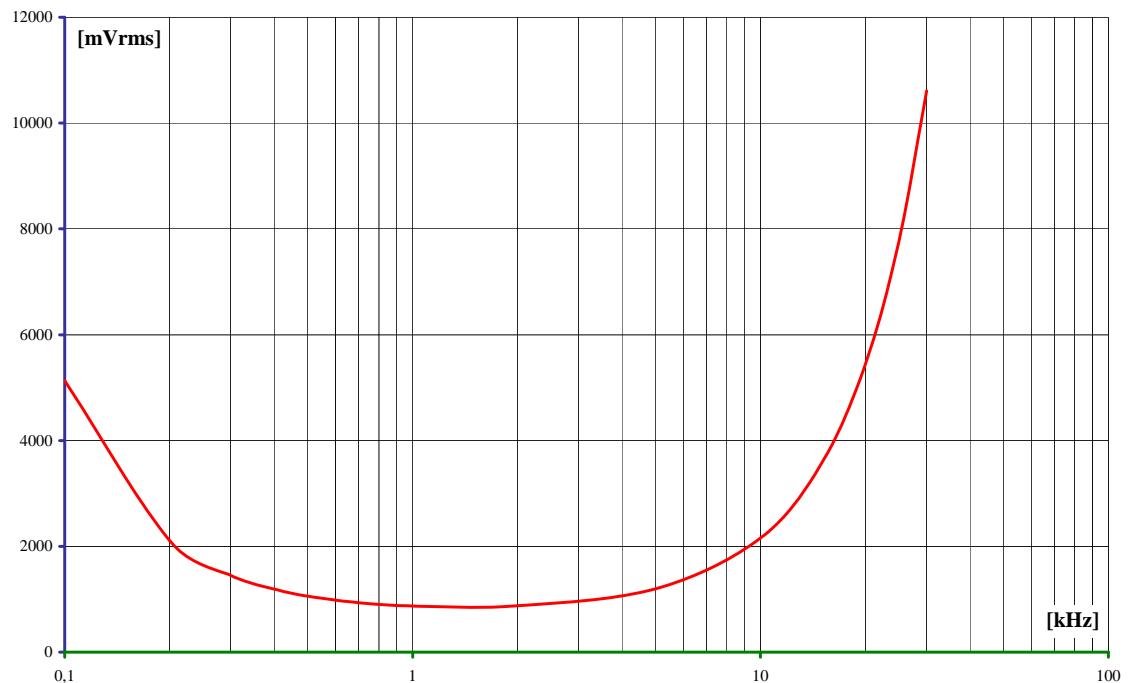


Figure 6-15: Minimum required input voltage depending on frequency

Discrete Inputs



Discrete Inputs: Bipolar Signals

The discrete inputs are galvanically isolated allowing for a bipolar connection. The discrete inputs are able to handle positive or negative signals.

i NOTE All discrete inputs must use the same polarity, either positive or negative signals, due to the common ground.

Discrete Inputs: Positive Signal

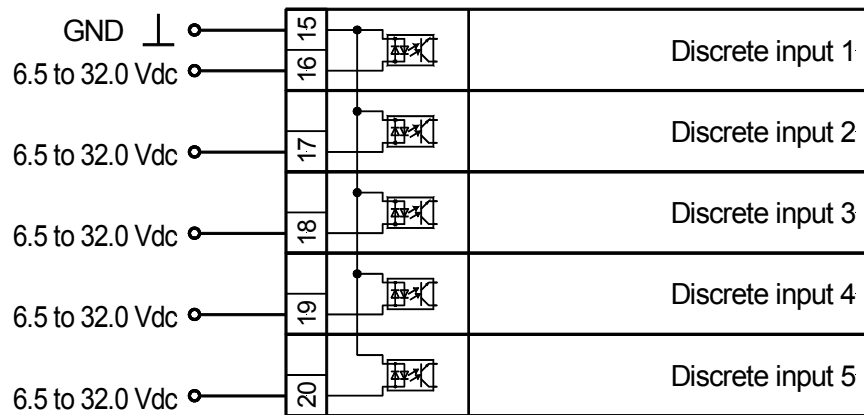


Figure 6-16: Discrete inputs - alarm/control input - positive signal

Terminal Term.	Com.	Description	Type ↕	A _{max}
16	15	Discrete input [D1] Low oil pressure	fixed	2.5 mm ²
17		Discrete input [D2] High coolant temperature	fixed	2.5 mm ²
18		Discrete input [D3] Remote start	fixed	2.5 mm ²
19		Discrete input [D4] Reply MCB or alarm input	SW	2.5 mm ²
20		Discrete input [D5] Reply GCB or alarm input	SW	2.5 mm ²

SW..alarm input switchable via software, if parameter "Ignore CB reply" is set to "YES"

Table 6-7: Discrete input - terminal assignment - alarm/control input - positive signal

i NOTE The parameter "Ignore CB reply" (described on page 72) may only be configured via LeoPC1.

Discrete Inputs: Negative Signal

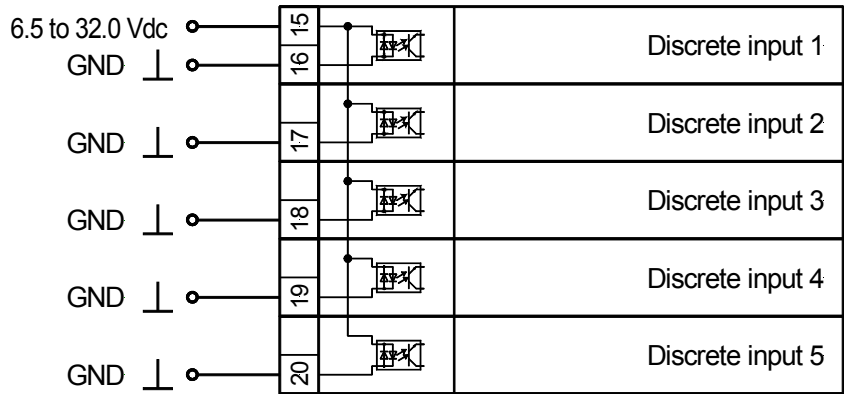


Figure 6-17: Discrete inputs - alarm/control input - negative signal

Terminal Com.	Term.	Description	Type ↓	A _{max}
15	16	Discrete input [D1] Low oil pressure	fixed	2.5 mm ²
	17	Discrete input [D2] High coolant temperature	fixed	2.5 mm ²
	18	Discrete input [D3] Remote start	fixed	2.5 mm ²
	19	Discrete input [D4] Reply MCB or alarm input	SW	2.5 mm ²
	20	Discrete input [D5] - Reply GCB or alarm input	SW	2.5 mm ²

SW...alarm input switchable via software, if parameter "Ignore CB reply" is set to "YES"

Table 6-8: Discrete input - terminal assignment - alarm/control inputs - negative signal

Discrete Inputs: Operation Logic

Discrete inputs may be configured to be used for normally open (N.O) and normally closed (N.C.) contacts. The default condition for N.O. is that the voltage signal is low. If the N.O. contact closes, the signal becomes high and the easYgen will detect an appropriate alarm or status. The default condition for N.C. is that the voltage signal is high. If the N.C. contact opens, the signal becomes low and the easYgen will detect an appropriate alarm or status.

The N.O. or N.C. contacts may be connected to the signal terminal or to the ground terminal of the discrete input. See previous chapter Discrete Inputs: Bipolar Signals on page 28 for details.

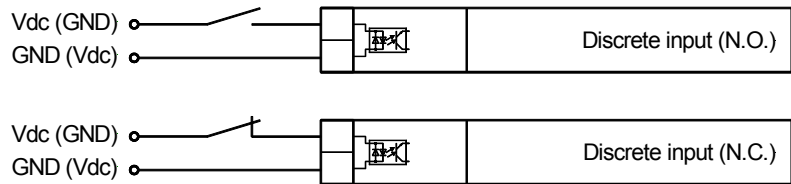


Figure 6-18: Discrete inputs - alarm/control inputs - operation logic

For the easYgen-300 series, the discrete inputs 1-3 are configured to a factory default and cannot be changed. The discrete inputs 4 and 5 are freely configurable depending on the parameter "Ignore CB reply". If this parameter is set to "YES", the discrete inputs are freely configurable, and the operation logic may be configured either to N.O. or N.C.



NOTE

The parameter "Ignore CB reply" (described on page 72) may only be configured via LeoPC1.

Relay Outputs



The easYgen series 300 provides up to six (6) galvanically isolated relay outputs. Some relay outputs have fixed assignments and cannot be configured.

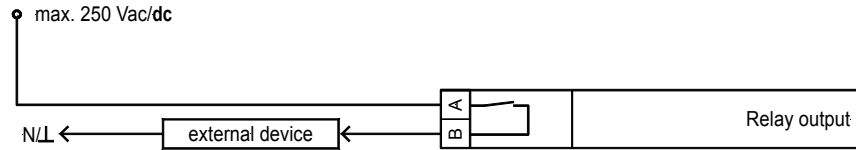


Figure 6-19: Relay outputs

Terminal Term.		Com.		Description		A _{max}
A	B				Type ↓	
5/6	7	Relay output [R1] [350], [350X]		Command: open MCB	fixed	2.5 mm ²
8	9	Relay output [R2]		Command: close GCB	fixed	2.5 mm ²
10	11	Relay output [R3] [350], [350X]		one from the configurable parameter list		2.5 mm ²
12	11	Relay output [R4]		one from the configurable parameter list		2.5 mm ²
13	11	Relay output [R5]		Fuel relay	fixed	2.5 mm ²
14	11	Relay output [R6]		Crank	fixed	2.5 mm ²

Table 6-9: Relay outputs - terminal assignment, part 1

The conditions, which may be assigned to the relay outputs R3 [350], [350X] and R4 are listed in Table 10-1: Relay outputs - list of configurable parameters on page 93 (refer to Relay Outputs on page 92). If a signal is selected for an easYgen version without this feature, the relay will not be triggered.

Interfaces



Overview

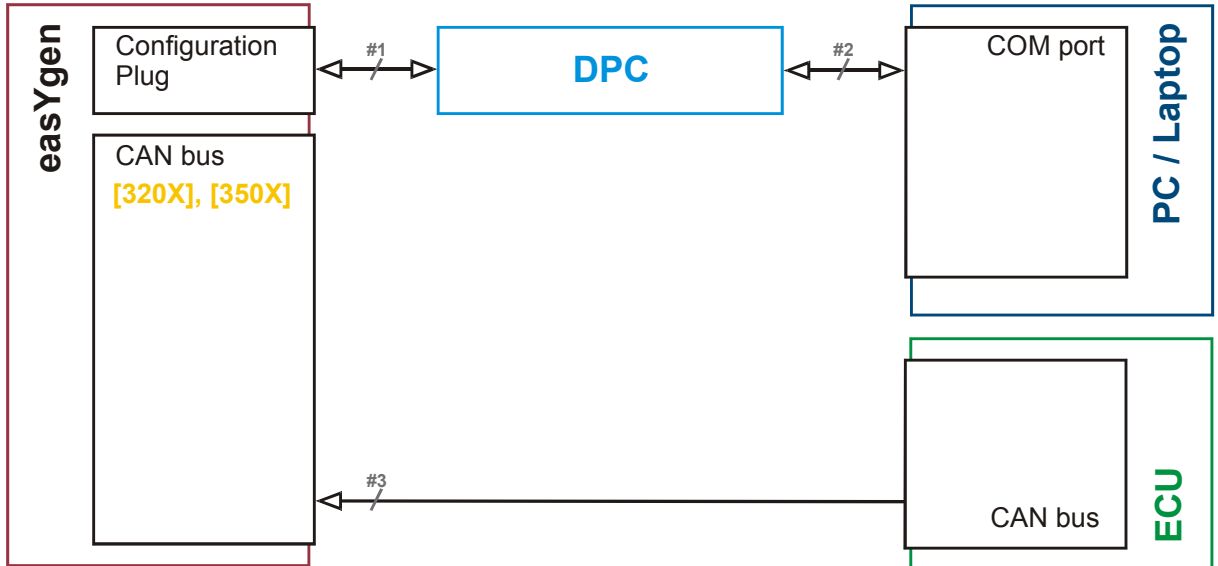


Figure 6-20: Interfaces - overview

No.	Connection from ...	to ...
#1	easYgen [DPC connector]	DPC
#2	DPC	PC [COM port]
	PIN 1 -----	PIN 4 (connect with PIN 8)
	PIN 2 -----	PIN 3
	PIN 3 -----	PIN 2
	PIN 4 -----	PIN 1
	PIN 5 -----	PIN 5
	N/A -----	N/A
	PIN 7 -----	PIN 8 (connect with PIN 4)
	PIN 8 -----	PIN 7
	PIN 9 -----	PIN 9
		Connect PIN4/8
#3	easYgen [CAN terminals]	ECU [CAN port]
	Terminal 39 - CAN-L -----	CAN-H
	Terminal 40 - CAN-H -----	CAN-L
	CAN termination resistor between terminals 39/40	CAN termination resistor

Table 6-10: Interfaces - connection overview



NOTE

The DPC cable (P/N 5417-557) is intended for service operation only. Do not operate the easYgen-300 with the DPC plugged into the unit during regular operation.



NOTE

The CAN interface is only used for the visualization of J1939 data from the ECU.

CAN Bus [320X], [350X]

Wiring

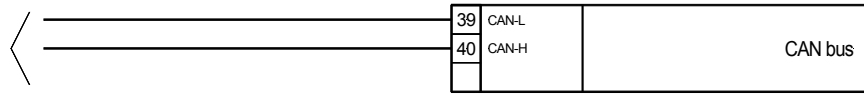


Figure 6-21: Interfaces - CAN bus

Terminal	Description	A _{max}
39	CAN bus	CAN-L 2.5 mm ²
40		CAN-H 2.5 mm ²

Shielding

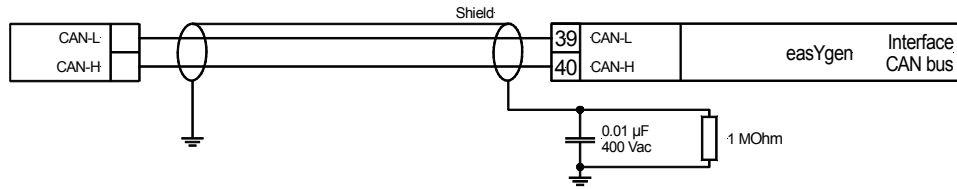


Figure 6-22: Interfaces - CAN bus - wiring of shielding

Please note that the CAN bus must be terminated at each end of the bus! Figure 6-23 is a topology of the CAN bus with the termination resistors installed.

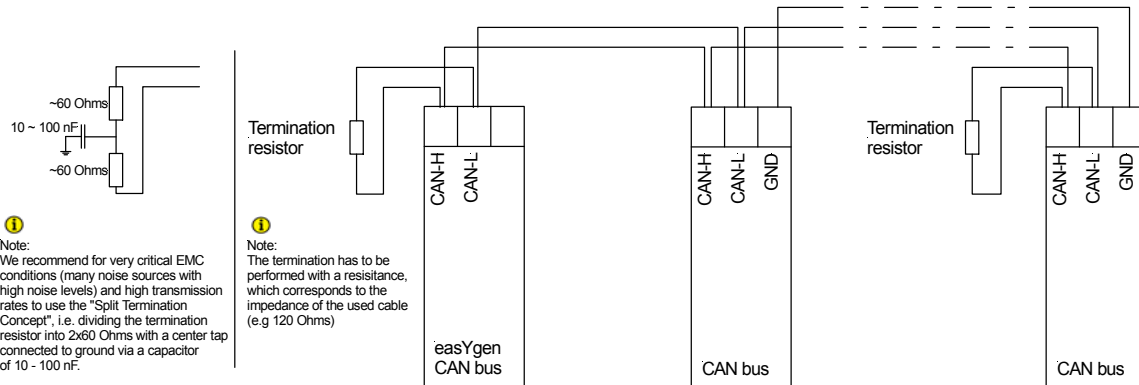


Figure 6-23: Interfaces - CAN bus topology

Possible CAN Bus Problems

If no data is transmitted on the CAN bus, check the following for common CAN bus communication problems:

- T structure bus is utilized (stub-end feeders or branch lines are not recommended)
- CAN-L and CAN-H are interchanged
- Not all devices on the bus are using identical Baud rates
- Terminating resistor(s) is/are missing
- Incorrect baud rate (too high) for length of CAN bus
- The CAN bus cable is co-routed with power cables

Woodward recommends the use of twisted-pair cables for the CAN bus (i.e.: Lappkabel Unitronic LIYCY (TP) 2×2×0.25, UNITRONIC-Bus LD 2×2×0.22).

Maximum CAN bus Length

The maximum length of the communication bus wiring is dependent on the configured Baud rate. Refer to Table 6-11 for the maximum bus length (Source: CANopen; Holger Zeltwanger (Hrsg.); 2001 VDE VERLAG GMBH, Berlin und Offenbach; ISBN 3-8007-2448-0).

Baud rate	Max. length
1000 kbit/s	25 m
800 kbit/s	50 m
500 kbit/s	100 m
125 kbit/s	250 m
50 kbit/s	1000 m
20 kbit/s	2500 m

Table 6-11: Maximum CAN bus length

The maximum specified length for the communication bus wiring might not be achieved if poor quality wire is utilized, there is high contact resistance, or other conditions exist. Reducing the baud rate may overcome these issues.

DPC - Direct Configuration Cable



NOTE

Please note that the configuration via the direct configuration cable DPC (P/N 5417-557) is possible starting with Revision B (first delivered July 2003). If you have an older model please contact technical sales.



NOTE

The connection cables delivered with the DPC must be used to connect between the control unit and the computer to ensure a proper function of the easYgen. Utilization of an extension or different cable types for the connection between easYgen and DPC can result in a malfunction of the easYgen. This may possibly result in damage to components of the system. If an extension of the data connection line is required, only the serial cable between DPC and notebook/PC may be extended.

Unplug the DPC after configuration to ensure a safe operation!

Chapter 7. Operation and Navigation

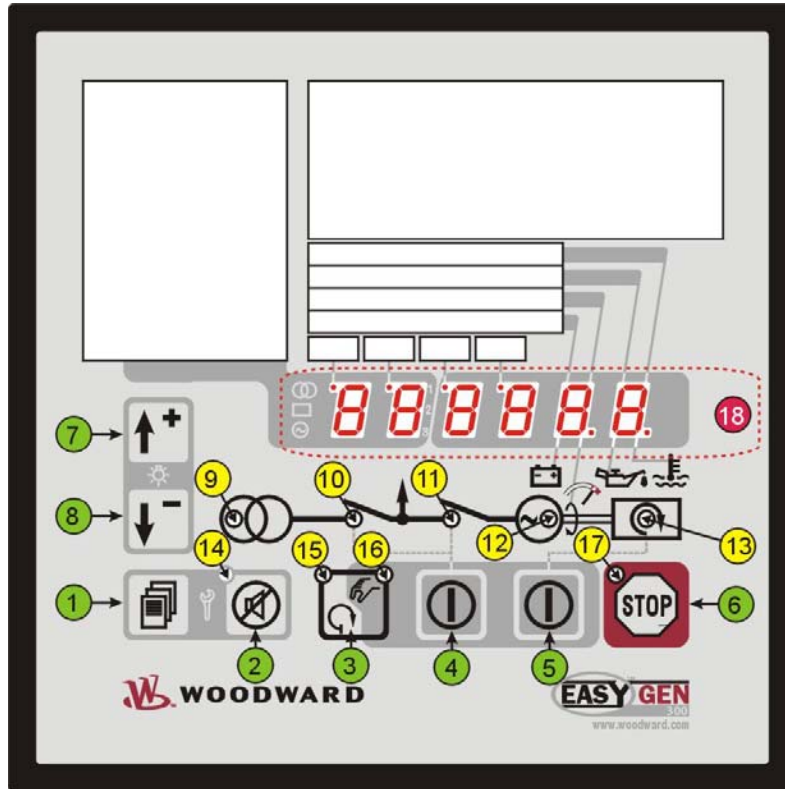


Figure 7-1: Front panel and display

Figure 7-1 illustrates the front panel/display which includes push-buttons, LEDs and the alphanumerical 7 segment LED display. A short description of the front panel is given below.



NOTE

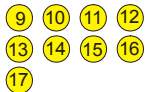


This push-button is **ALWAYS** enabled and will stop the engine when pressed.



Push-buttons

The push buttons on the front panel are assigned to fixed functions of the unit.



LEDs

The LEDs indicate operating states of the unit and alarm messages. The right LED indicates that alarm messages are present in the unit.



7 segment LED display

This alphanumerical display is used to display all measured values, operating parameters, and alarm messages. A description of this display is detailed later in this manual.





Operation and Display
















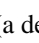
Purpose of the Status LEDs

The easYgen has several status LEDs to indicate the operating state. The LEDs indicate the following conditions:


- LED 9 (on): Mains voltage present (only easYgen-350 and 350X)
- LED 9 (flashing): Mains voltage and/or frequency are not within the Breaker Closure Limits (see page 60)
- LED 10: Mains circuit breaker (MCB) closed (only easYgen-350 and 350X)
- LED 11: Generator circuit breaker (GCB) closed
- LED 12 (on): Generator in operation
- LED 12 (flashing): Generator voltage and/or frequency are not within the Breaker Closure Limits (see page 60)
- LED 13 (on): Engine in operation
- LED 13 (flashing): Engine in operation, but engine monitoring delay time (see page 74) not yet expired
- LED 14: Alarm message present
- LED 15: Genset in automatic operation
- LED 16: Genset in manual operation
- LED 17: Genset stopped







A function test of all LEDs and the seven-segment display may be conducted by pressing the   and   buttons simultaneously.

Operating the easYgen






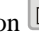



- When the easYgen control unit is powered up and the genset is not operating, LED 17 is illuminated and the MCB is closed (only easYgen-350 and 350X).
- The control unit may be started in automatic mode or have the operation mode changed from automatic to manual by pressing the Auto - Manual button  . LED 15 (automatic) or LED 16 (manual) will indicate the current mode of operation by the corresponding LED being illuminated.
- The Breaker Control button   enables the operator to open or close the circuit breaker(s) depending on the current state of the breaker and the control unit being in manual operation mode. This button is disabled in automatic operation mode.
- The Start/Stop Engine button   will start and stop the engine when the control unit is in manual operation mode. This button is disabled when the control unit is in automatic operation mode.
- The Stop button   is always enabled and when pressed while in the automatic mode will shut the engine down after the configured cool down period has expired. Pressing this button twice will shutdown the genset immediately.
- Active alarm messages may be acknowledged with the Alarm button  . Alarm conditions are indicated when LED 14 is illuminated.
- When the easYgen is in normal operation, the operator may view the monitored parameters by using the Scroll button  . The monitored values will be displayed on the 7-segment display   (a detailed description of the displayed operating values may be found later in this manual).

Acknowledging Alarm Messages


LED 14 will flash when an alarm is active. The alarm message will be displayed in the 7-segment display .


Pressing the alarm button   will acknowledge the alarm, reset the alarm relay (if relay is configured for alarm input), and the LED will change from flashing to continuously illuminated. If more than one fault condition is present, the operator may display these messages by pressing the Scroll button  . The alarm may be deleted by pressing and holding the Alarm button   a second time until the LED 14 is no longer illuminated. If the fault condition is still present, the LED 14 will remain illuminated and the unit stays in a locked mode according to the appropriate alarm condition.

Configuring the easYgen

To enter the configuration mode, press the Scroll  ① and Alarm  ② buttons simultaneously. Only the parameters **00** - HMI Password, **01** - Time until horn reset and **72** - Display level are visible without entering a password. In order to display the other parameters, the correct password must be entered in the Parameter **00** - HMI Password. Pressing the Scroll button  ① will display the various parameters that may be changed. The displayed values for the parameters may be changed by pressing the  ⑦ and  ⑧ buttons (a detailed description of the parameters begins on page 70 of this manual). If the operator presses and holds these buttons, the rate of change for the value will increase. After the parameter has been adjusted to the desired value, enter it into the control unit by pressing the Scroll button  ① once. After a parameter has been changed and entered into the control unit, the operator may advance to the next parameters by pressing the Scroll button  ① a second time. To exit the configuration mode, press the Scroll  ① and Alarm  ② buttons simultaneously again.

Display of the Operating Values

The easYgen-300 control units are able to display various measured values during operation depending on the respective easYgen model. You may advance through the single value displays using the Scroll button  ①.

The values are displayed numerically, while the engineering unit, source, and phase are coded in the seven-segment display  ⑩ if applicable. See the example below:

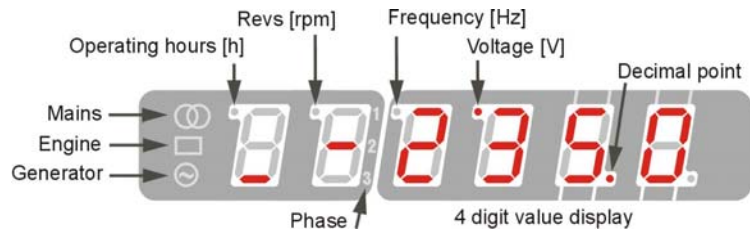


Figure 7-2: 6 digit 7 segment LED display

- The first digit (counted from left) indicates what is being measured, (mains, engine, or generator). The top horizontal segment indicates mains, the middle horizontal segment indicates engine, and the bottom horizontal segment indicates generator.
- The second digit indicates the measured phase. The top segment indicates L1, the middle horizontal segment indicates L2, and the bottom horizontal segment indicates L3. If only one line is displayed for phase measurement, a phase to neutral measurement is displayed. If two lines are displayed, a phase to phase measurement is shown.
- Digits 3-6 indicate what the measured value of the displayed parameter is.
- The indicators located at the top left of the first four digits of the display indicate the engineering unit of measure to be utilized. The indicators are assigned the following engineering units of measure.
 - Digit 1: Operating hours [h]
 - Digit 2: Revolutions [rpm]
 - Digit 3: Frequency [Hz]
 - Digit 4: Voltage [V]

With this information, the example in the figure above reads as follows:

Voltage at generator between phase L2 and N is at 235.0 volts

Digit 1: Generator

Digit 2: Measurement between phase L2 and N


Digits 3 to 6: Numerical value 235.0

Indicator at digit 4: Voltage [V]

Digits 5 and 6 of the display are used to display eight different alarm states. The upper and lower vertical segments are used to indicate the various alarm states. Refer to Alarm Messages on page 41 for the description of the alarm messages.

For customization of your easYgen-300 front using the paper strips, refer to Front Customization on page 108.

Default Operating Value Display

The easYgen detects and selects the default operating value display by evaluating the measured voltage and the circuit breaker position. This default operating value is always displayed first. The operator may advance through the following operating parameters using the Scroll button  1.

Voltage and CB position	Voltage measuring	Default operating value	[320]	[320X]	[350]	[350X]
Generator voltage present GCB is closed	1Ph 2W or 1Ph 3W	Generator voltage V_{IN}	✓	✓	✓	✓
	3Ph 3W or 3Ph 4W	Generator voltage V_{12}	---	✓	---	✓
Mains voltage present MCB is closed	1Ph 2W or 1Ph 3W	Mains voltage V_{IN}	---	---	---	✓
	3Ph 3W or 3Ph 4W	Mains voltage V_{12}	---	---	✓	✓

Table 7-1: Display - default operating value


If none of the conditions in Table 7-1 is fulfilled, the generator voltage V_{12} is displayed according to the order in Table 7-2.



NOTE

The operating value display depends on the set display level (refer to Parameter 72 on page 96).

Cycling Through the Displayed Operating Values


If the easYgen is in normal operation, the default operating value is displayed. The operator may advance through the different operating parameters using the Scroll button  1. Following the default operating value, the parameters are displayed in the order shown below (some parameters will not display if the related function is disabled or not available on the control unit):

Parameter / display level	Display	Applies to
Generator voltage V_{12} (phase-phase) DL 1		easYgen-350X ✓
		easYgen-350 -
Generator voltage V_{23} (phase-phase) DL 2		easYgen-350X ✓
		easYgen-350 -
Generator voltage V_{31} (phase-phase) DL 2		easYgen-320X ✓
		easYgen-320 -
Generator voltage Average of the phase-phase voltages (two of the three phase-phase indicators are displayed alternately) DL 2		easYgen-350X ✓
		easYgen-350 -
Generator voltage V_{IN} (phase-neutral) DL 1		easYgen-320X ✓
		easYgen-320 ✓
Generator voltage V_{2N} (phase-neutral) DL 2		easYgen-350X ✓
		easYgen-350 -
		easYgen-320X ✓
		easYgen-320 -

Parameter / display level	Display	Applies to
Generator voltage V_{3N} (phase-neutral) DL 2		easYgen-350X ✓ easYgen-350 - easYgen-320X ✓ easYgen-320 -
Generator voltage Average of the phase voltages (one of the three phase indicators is displayed alternately) DL 1		easYgen-350X ✓ easYgen-350 - easYgen-320X - easYgen-320 -
Mains voltage V_{12} (phase-phase) DL 1		easYgen-350X ✓ easYgen-350 ✓ easYgen-320X - easYgen-320 -
Mains voltage V_{23} (phase-phase) DL 2		easYgen-350X ✓ easYgen-350 ✓ easYgen-320X - easYgen-320 -
Mains voltage V_{31} (phase-phase) DL 2		easYgen-350X ✓ easYgen-350 ✓ easYgen-320X - easYgen-320 -
Mains voltage Average of the phase-phase voltages (two of the three phase indicators are displayed alternately)		easYgen-350X ✓ easYgen-350 ✓ easYgen-320X - easYgen-320 -
Mains voltage V_{1N} (phase-neutral) DL 1		easYgen-350X ✓ easYgen-350 ✓ easYgen-320X - easYgen-320 -
Mains voltage V_{2N} (phase-neutral) DL 2		easYgen-350X ✓ easYgen-350 ✓ easYgen-320X - easYgen-320 -
Mains voltage V_{3N} (phase-neutral) DL 2		easYgen-350X ✓ easYgen-350 ✓ easYgen-320X - easYgen-320 -
Mains voltage Average of the phase voltages (one of the three phase indicators is displayed alternately) DL 2		easYgen-350X ✓ easYgen-350 ✓ easYgen-320X - easYgen-320 -
Rated generator frequency DL 1		easYgen-350X ✓ easYgen-350 ✓ easYgen-320X ✓ easYgen-320 ✓
Rated mains frequency DL 1		easYgen-350X ✓ easYgen-350 ✓ easYgen-320X - easYgen-320 -

Parameter / display level	Display	Applies to
Engine speed (display is not shown if the MPU is disabled) DL 1		easYgen-350X ✓
		easYgen-350 -
		easYgen-320X ✓
		easYgen-320 -
Operating hours counter (display is six-digit with one decimal) DL 1		easYgen-350X ✓
		easYgen-350 ✓
		easYgen-320X ✓
		easYgen-320 ✓
Hours to next maintenance (a negative value indicates excess hours, maintenance overdue) DL 2		easYgen-350X ✓
		easYgen-350 ✓
		easYgen-320X ✓
		easYgen-320 ✓
Battery voltage DL 2		easYgen-350X ✓
		easYgen-350 ✓
		easYgen-320X ✓
		easYgen-320 ✓
Charging voltage (display is suppressed if the charging voltage monitoring is disabled) DL 2		easYgen-350X ✓
		easYgen-350 ✓
		easYgen-320X ✓
		easYgen-320 ✓

Table 7-2: Display of operating values

If the Scroll button  1 is pressed again, the display returns to the default operating value (refer to Default Operating Value Display on page 37). The display automatically returns after 180 seconds to the default operating value being displayed if a button isn't pressed.


J1939 Visualization [320X], [350X]

J1939 Operating Value Display

The easYgen-300 with the X package is able to display standard J1939 messages, which are sent by the engine control to the easYgen via the CAN bus. The values are displayed on the unit and in LeoPC1. In order to visualize J1939 messages with LeoPC1, the PC/laptop running LeoPC1 must be connected via the DPC interface (refer to page 32). It is also possible to display Scania S6 and Deutz EMR2 messages in LeoPC1. The J1939 visualization can be configured with parameter 90, J1939 device type. If this parameter is not configured to Off, the standard J1939 messages are displayed on the unit immediately following the operating values as described in the chapter Display of the Operating Values on page 37.

You find detailed information about the J1939 visualization with LeoPC1 under J1939 Protocol Descriptions starting on page 106.

i NOTE
Only signals, which are present, will be displayed. If a signal is not sent to the control unit, the display of this value is not shown. If the sent values exceed the specified range, the displayed value is not defined.

The following J1939 messages can be displayed by the easYgen. The J1939 messages follow the operating values and can be viewed in the following order using the Scroll button  1. The values are updated by pressing the scroll button.

J1939 message / display level	Display	Range
1 Throttle position DL 1		0 to 100 % Display 000.0 SPN 91 PGN 61443
2 Percent load at current RMP DL 1		0 to 250 % Display 000 SPN 92 PGN 61443
3 Actual engine % torque DL 1		-125 to 125 % Display 0000 SPN 513 PGN 61444
4 Engine speed DL 1		0 to 8032 rpm Display 0000 SPN 190 PGN 61444
5 Total engine hours DL 1		0 to 9999 h Display 0000 SPN 247 PGN 65253
6 Engine coolant temp DL 1		-40 to 210 °C Display 000 SPN 110 PGN 65262
7 Fuel temperature DL 1		-40 to 210 °C Display 000 SPN 174 PGN 65262
8 Engine oil temperature DL 1		-273 to 1735 °C Display 0000 SPN 175 PGN 65262

J1939 message / display level		Display	Range
9	Engine oil level		0 to 100 %
	DL 1		Display 000 SPN 98 PGN 65263
10	Engine oil pressure		0 to 1000 kPa
	DL 1		Display 0000 SPN 100 PGN 65263
11	Coolant level		0 to 100 %
	DL 1		Display 000 SPN 111 PGN 65263
12	Fuel rate		0 to 3213 L/h
	DL 1		Display 0000 SPN 183 PGN 65266
13	Barometric pressure		0 to 125 kPa
	DL 1		Display 000 SPN 108 PGN 65269
14	Air inlet temperature		-40 to 210 °C
	DL 1		Display 000 SPN 172 PGN 65269
15	Boost pressure		0 to 500 kPa
	DL 1		Display 000 SPN 102 PGN 65270
16	Intake manifold temp.		-40 to 210 °C
	DL 1		Display 000 SPN 105 PGN 65270
17	Exhaust gas temperature		-273 to 1735 °C
	DL 1		Display 0000 SPN 173 PGN 65270

Table 7-3: J 1939 messages

In case of a defective sensor or a broken wire the easYgen-300 displays four dashes instead of the J1939 value following the respective J1939 identifier.

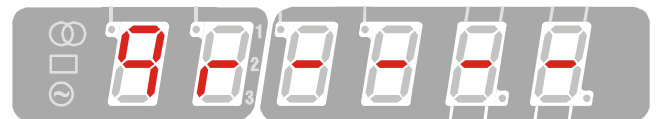




Figure 7-3: J1939 fault display

The above display shows that the engine oil pressure (identifier 9r) sensor is defective or the cable from the sensor to the ECU is unplugged or broken. A defective sensor or a broken wire is also displayed in LeoPC1. The display appearing in this case is described under J1939 Protocol Descriptions starting on page 106.

J1939 DM1/DM2 Error Message Display

The easYgen-300 with the X package is able to display J1939 DM1 and DM2 error messages, which are sent by the engine control to the easYgen via the CAN bus. The J1939 visualization can be configured with parameter 90, J1939 device type. If this parameter is not configured to Off, the J1939 DM1 and DM2 error messages are displayed on the unit if the unit is in STOP operating mode.

If the easYgen receives an error message, this will be evaluated in the unit and the scrolling display starts if no alarm is present. The scrolling display may be cleared by pressing the Alarm button  2. If DM1 and DM2 error messages are present at the same time, the scrolling display of the DM1 error messages is displayed as long as no alarm is present. If the scrolling display of the DM1 error messages is cleared by pressing the Alarm button  2, the scrolling display of the DM2 error messages is displayed. If all scrolling displays are cleared, the operating value display is active again. A scrolling display can only be cleared at least 10 seconds after the first occurrence. If DM1 error messages are not received anymore for at least 10 seconds they will be reset in LeoPC1.

The following content is visualized for DM1 and DM2 error messages:

- DM identifier DM1 (Data Memory 1) or DM2
- SPN number Suspect Parameter Number
- FMI number Failure Mode Identifier
- OC Occurrence Counter

The error messages are indicated by a scrolling display. The scrolling display starts with a header, displays the single messages, and ends with an end marker. There are two separate scrolling displays for DM1 error messages and DM2 error messages. A scrolling display is composed as follows:

	Content	Display	Description
Display header	Header	J1939	The header indicates the start of a scrolling message
First error message	DM Identifier	dnx	The data memory identifier indicates whether it is a DM1 message (dn1) or a DM2 message (dn2)
	Suspect Parameter Number	xxxx	The four-digit SPN describes the error message
	Failure Mode Identifier	xx	The two-digit FMI describes the error message in detail
	Occurrence Counter	xx	The two-digit OC indicates the number of occurrences of this error message
...	Possible further error messages may be between the first and last error message
Last error message	DM Identifier	dnx	The data memory identifier indicates whether it is a DM1 message (dn1) or a DM2 message (dn2)
	Suspect Parameter Number	xxxx	The four-digit SPN describes the error message
	Failure Mode Identifier	xx	The two-digit FMI describes the error message in detail
	Occurrence Counter	xx	The two-digit OC indicates the number of occurrences of this error message
Display end	End Marker	End	The end marker indicates the end of the scrolling message

Table 7-4: DM1/DM2 error message composition

The header is displayed left-justified in the 7-segment display for one second and then it starts to scroll. The header and the first error message are separated by a blank. The four content elements of an error message are separated by a dash. Individual error messages are separated by two blanks. The last error message and the end marker are separated by two blanks. The end marker is displayed for one second. Then the scrolling display starts again.

Example for a scrolling display with only one error message:

J1939 dn1-0120-20-03 End

Example for a scrolling display with four error messages:

J1939 dn1-0120-20-03 dn1-0190-05-09 dn1-1312-31-10 dn1-0091-06-04 End



NOTE





The J1939 DM1 or DM2 error messages are only displayed in STOP operating mode.

You find detailed information about the J1939 protocol under J1939 Protocol Descriptions starting on page 106.

Alarm Messages

If the easYgen detects a fault condition, LED 14 starts to flash. The alarm message is displayed in the seven-segment display 18 with a blinking "A" for alarm, an alarm number, and the respective alarm segment, if applicable. The alarm may be acknowledged by pressing the Alarm button 2. The flashing LED and "A" will change to a continuously illuminated state and the relay will be reset. If more alarm conditions are present, the operator may advance through the different alarm messages using the Scroll button 1. By pressing the Alarm button 2 again, the alarm may be cleared unless the fault condition is still present.

Figure 7-4 shows the additional alarm states using the vertical segments of the last two digits of the seven-segment display 18. The four top segments are pre-assigned with the alarms shown in Figure 7-4, but are freely configurable via LeoPC1 for common alarms from a list of alarms located in Table 7-6. The customer-defined paper strip label allows for a customized front display panel. The lower four segments are permanently assigned to engine alarms (battery undervoltage (alarm no. 50A), engine over/underspeed (no. 20A/21A), oil pressure (no. 60A), and coolant temperature (no. 61A)).

Symbol	Alarm
	Battery undervoltage
	Engine over-/underspeed
	Oil pressure
	Coolant overtemperature

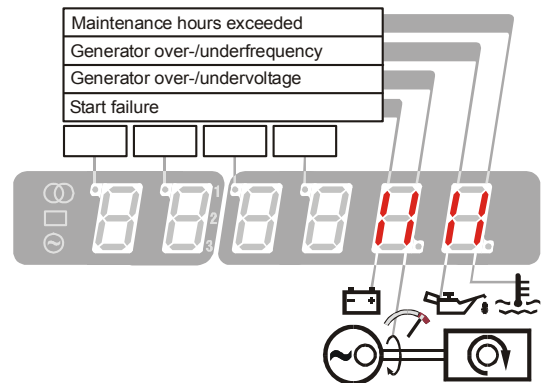



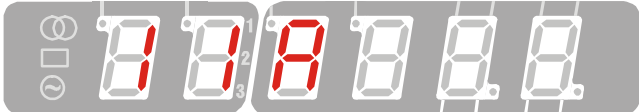

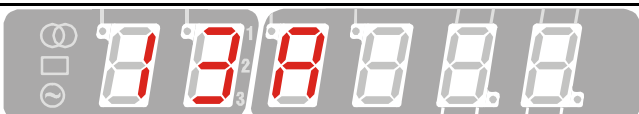
Figure 7-4: Additional alarm display

The alarm messages are assigned to different alarm classes depending on their importance and required reaction. You find more information about this under Alarm Classes on page 104. The following alarm classes exist:

Class	Description	Reaction of the system
B	Alarm	The operation is not interrupted but a centralized alarm is issued.
F	Shutdown	The GCB will be opened immediately and the engine will be stopped without cool down.

Table 7-5: Alarm classes

The following table displays the possible alarm messages:

Alarm	Alarm class	Display	Applies to
10 Generator overfrequency	F: Shutdown		350X ✓ 350 ✓ 320X ✓ 320 ✓
11 Generator underfrequency	F: Shutdown		350X ✓ 350 ✓ 320X ✓ 320 ✓
12 Generator overvoltage	F: Shutdown		350X ✓ 350 ✓ 320X ✓ 320 ✓
13 Generator undervoltage	F: Shutdown		350X ✓ 350 ✓ 320X ✓ 320 ✓

Alarm	Alarm class	Display	Applies to
14 Mains rotation field mismatch	B: Alarm		350X ✓
			350 ✓
			320X -
			320 -
20 Engine overspeed	F: Shutdown		350X ✓
			350 -
			320X ✓
			320 -
21 Engine underspeed	F: Shutdown		350X ✓
			350 -
			320X ✓
			320 -
30 Start fail	F: Shutdown		350X ✓
			350 ✓
			320X ✓
			320 ✓
31 Unintended stop	F: Shutdown		350X ✓
			350 ✓
			320X ✓
			320 ✓
40 Maintenance hours	B: Alarm		350X ✓
			350 ✓
			320X ✓
			320 ✓
50 battery undervoltage	B: Alarm		350X ✓
			350 ✓
			320X ✓
			320 ✓
51 Charge failure	B: Alarm		350X ✓
			350 ✓
			320X ✓
			320 ✓
60 DI1: Oil pressure	F: Shutdown		350X ✓
			350 ✓
			320X ✓
			320 ✓
61 DI2: Coolant temperature	F: Shutdown		350X ✓
			350 ✓
			320X ✓
			320 ✓
62 DI4: MCB reply or free configurable	Control input/ Selectable B or F		350X ✓
			350 ✓
			320X ✓
			320 ✓
63 DI5: GCB reply or free configurable	Control input/ Selectable B or F		350X ✓
			350 ✓
			320X ✓
			320 ✓
64 J1939 CAN Error	Selectable B or F		350X ✓
			350 -
			320X ✓
			320 -

Alarm		Alarm class	Display	Applies to	
65	J1939 DM1 amber warning lamp	Selectable B or F		350X	✓
				350	-
				320X	✓
				320	-
66	J1939 DM1 red stop lamp	Selectable B or F		350X	✓
				350	-
				320X	✓
				320	-

Table 7-6: Alarm messages



NOTE

Discrete Inputs 4 & 5: If the parameter "Ignore Breaker Replies" (only changeable via LeoPC1) is set to "YES", the discrete inputs for 4 and 5 are no longer control inputs. These discrete inputs may now be used as freely configurable alarm inputs. All alarm classes may be configured for these discrete inputs.

Configuration Displays

The following parameters can be configured as described under Configuring the easYgen on page 36:

Parameter		Range	Display	Applies to	
DL 1 00	HMI Password	0000 to 9999		350X	✓
				350	✓
				320X	✓
				320	✓
DL 1 01	Time until horn reset	0 to 1000 s [1 s interval]		350X	✓
				350	✓
				320X	✓
				320	✓
DL 3 10	Rated frequency	50 Hz, 60 Hz		350X	✓
				350	✓
				320X	✓
				320	✓
DL 3 11	Generator rated voltage	50 to 480 V [1 V interval]		350X	✓
				350	✓
				320X	✓
				320	✓
DL 3 12	Mains rated voltage	50 to 480 V [1 V interval]		350X	✓
				350	✓
				320X	-
				320	-
DL 3 20	Fuel relay (open/close)	0 = open to stop 1 = close to stop		350X	✓
				350	✓
				320X	✓
				320	✓
DL 3 21	Preglow time	0 to 999 s [1 s interval]		350X	✓
				350	✓
				320X	✓
				320	✓
DL 3 30	MPU (pickup) on/off	0 = off, 1 = on		350X	✓
				350	-
				320X	✓
				320	-

Parameter	Range	Display	Applies to
31 DL 3 Nominal speed	500 to 4000 rpm [1 rpm interval]		350X ✓ 350 - 320X ✓ 320 -
32 DL 3 Number of teeth	2 to 260 teeth [1 tooth interval]		350X ✓ 350 - 320X ✓ 320 -
40 DL 3 Cooldown time	0 to 999 s [1 s interval]		350X ✓ 350 ✓ 320X ✓ 320 ✓
50 DL 3 Generator over-frequency threshold	50.0 to 130.0 % [0.1 % interval]		350X ✓ 350 ✓ 320X ✓ 320 ✓
51 DL 3 Generator over-frequency delay time	0.1 to 99.9 s [0.1 s interval]		350X ✓ 350 ✓ 320X ✓ 320 ✓
52 DL 3 Generator underfrequency threshold	50.0 to 130.0 % [0.1 % interval]		350X ✓ 350 ✓ 320X ✓ 320 ✓
53 DL 3 Generator underfrequency delay time	0.1 to 99.9 s [0.1 s interval]		350X ✓ 350 ✓ 320X ✓ 320 ✓
54 DL 3 Generator overvoltage threshold	50.0 to 125.0 % [0.1 % interval]		350X ✓ 350 ✓ 320X ✓ 320 ✓
55 DL 3 Generator overvoltage delay time	0.1 to 99.9 s [0.1 s interval]		350X ✓ 350 ✓ 320X ✓ 320 ✓
56 DL 3 Generator undervoltage threshold	50.0 to 125.0 % [0.1 % interval]		350X ✓ 350 ✓ 320X ✓ 320 ✓
57 DL 3 Generator undervoltage delay time	0.1 to 99.9 s [0.1 s interval]		350X ✓ 350 ✓ 320X ✓ 320 ✓
58 DL 3 Engine over-speed monitoring on/off	0 = off, 1 = on		350X ✓ 350 - 320X ✓ 320 -
59 DL 3 Engine over-speed threshold	0 to 9999 rpm [1 rpm interval]		350X ✓ 350 - 320X ✓ 320 -

Parameter		Range	Display	Applies to	
60 DL 3	Battery under-voltage threshold	8.0 to 42.0 V [0.1 V interval]		350X	✓
				350	✓
				320X	✓
				320	✓
61 DL 3	Battery charge failure monitoring on/off	0 = off, 1 = on		350X	✓
				350	✓
				320X	✓
				320	✓
62 DL 3	Battery charge failure monitoring threshold	0.0 to 32.0 V [0.1 V interval]		350X	✓
				350	✓
				320X	✓
				320	✓
70 DL 1	Maintenance hours	0 to 9999 h [1 h interval]		350X	✓
				350	✓
				320X	✓
				320	✓
71 DL 1	Reset maintenance hours	0 = no, 1 = yes		350X	✓
				350	✓
				320X	✓
				320	✓
72 DL 1	Display level	1, 2, 3		350X	✓
				350	✓
				320X	✓
				320	✓
80 DL 3	Mains settling time	0 to 9999 s [1 s interval]		350X	✓
				350	✓
				320X	-
				320	-
81 DL 3	Mains overvoltage threshold	50.0 to 130.0 % [0.1 % interval]		350X	✓
				350	✓
				320X	-
				320	-
82 DL 3	Mains undervoltage threshold	50.0 to 130.0 % [0.1 % interval]		350X	✓
				350	✓
				320X	-
				320	-
83 DL 3	Mains voltage hysteresis	0.0 to 50.0 % [0.1 % interval]		350X	✓
				350	✓
				320X	-
				320	-
84 DL 3	Mains overfrequency threshold	70.0 to 160.0 % [0.1 % interval]		350X	✓
				350	✓
				320X	-
				320	-
85 DL 3	Mains underfrequency threshold	70.0 to 160.0 % [0.1 % interval]		350X	✓
				350	✓
				320X	-
				320	-
86 DL 3	Mains frequency hysteresis	0.0 to 50.0 % [0.1 % interval]		350X	✓
				350	✓
				320X	-
				320	-

Parameter	Range	Display	Applies to
87 DL 3 Mains phase rotation monitoring - self acknowledge	0 = Off 1 = On		350X ✓ 350 ✓ 320X - 320 -
90 DL 3 J1939 Device Type	0 = Off 1 = Standard 2 = Scania S6 3 = Deutz EMR		350X ✓ 350 - 320X ✓ 320 -
91 DL 3 Requested Send Address	0 to 255 [1 step interval]		350X ✓ 350 - 320X ✓ 320 -
92 DL 3 Receive Device Number	0 to 255 [1 step interval]		350X ✓ 350 - 320X ✓ 320 -
93 DL 3 J1939 Monitoring	0 = Off 1 = On		350X ✓ 350 - 320X ✓ 320 -
94 DL 3 J1939 Amber alarm	0 = Off 1 = On		350X ✓ 350 - 320X ✓ 320 -
95 DL 3 J1939 Red alarm	0 = Off 1 = On		350X ✓ 350 - 320X ✓ 320 -

DL...Display Level (parameter 72)

Table 7-7: Configuration displays



NOTE

The display automatically returns to the default operating value (refer to Default Operating Value Display on page 37) if a button isn't pressed within 180 seconds.

Display Hierarchy

The display system refreshes if a button isn't pressed within 180 seconds. The initial display depends on the presence of alarm or error messages and the operating mode. The following display hierarchy applies:

Hierarchy level	Display	Comments
1	Alarm messages	Alarm messages are displayed first if they are present (refer to Alarm Messages on page 43)
2	J1939 DM1 error messages	J1939 DM1 error messages are displayed if they are present and the unit is in STOP operating mode and no alarm messages are present (refer to J1939 DM1/DM2 Error Message Display on page 42)
3	J1939 DM2 error messages	J1939 DM2 error messages are displayed if they are present and the unit is in STOP operating mode and no alarm messages or DM1 error messages are present (refer to J1939 DM1/DM2 Error Message Display on page 42)
4	Operating values	The operating values are displayed if no alarm or J1939 DM1/DM2 error messages are present in STOP operating mode or no alarm messages are present in MANUAL or AUTOMATIC operating mode (refer to Display of the Operating Values on page 36)

Table 7-8: Display hierarchy

Chapter 8. Functional Description

Overview



easYgen Version	Application mode			
	{1 breaker open/close}		{2 breakers open/close }	
	[320], [320X], [350], [350X]		[350], [350X]	
Operation Mode	MAN	AUTO	MAN	AUTO

Operate the engine					
• Start engine by:					
	the engine START - STOP push button	YES	---	YES	---
	the discrete input DI3 (remote start)	---	YES	---	YES
	emergency power (AMF)	---	---	---	YES
• Stop engine by:					
	the STOP push button	YES	YES	YES	YES
	the engine START - STOP push button	YES	---	YES	---
	the discrete input DI3 (remote start)	---	YES	---	YES
	emergency power (AMF)	---	---	---	YES
	an alarm (i.e. overspeed)	YES	YES	YES	YES

Operate GCB					
• close GCB					
	the BREAKER CONTROL push button (only if engine is running)	YES	---	YES	---
	emergency power (AMF)	---	---	---	YES
• open GCB					
	the STOP push button	YES	YES	YES	YES
	the BREAKER CONTROL push button	YES	---	YES	---
	emergency power (AMF)	---	---	---	YES
	an alarm (i.e. overvoltage)	YES	YES	YES	YES

Operate MCB					
• open MCB					
	the BREAKER CONTROL push button	---	---	YES	---
	emergency power (AMF)	---	---	---	YES
• close MCB					
	the STOP push button	---	---	YES	YES
	the BREAKER CONTROL push button (only if mains are present)	---	---	YES	---
	emergency power (AMF)	---	---	---	YES

Table 8-1: Functional description - Overview

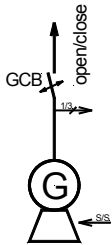
- **Application Mode** (page 50): depends on the application; defines the number/function of the breakers.
- **easYgen Version** (page 12): indicates, which easYgen versions permit this application mode.
- **Operating Mode** (page 51): depends on the application; differs between STOP, MANUAL and AUTOMATIC modes.

Application Modes



The most important features of the application modes are illustrated in the following. Please note that the 2 breaker application mode is only possible with the easYgen versions [350], and [350X].

Application Mode {1 breaker open/close} – [320], [320X], [350], [350X]



This application mode provides the following functions:

- operation of the engine (start/stop)
- monitoring and display of generator and engine parameters
- monitoring of selected parameters and protection of the generator and the engine
- opening and closing the GCB
- dead bus monitoring and logic

Application Mode {2 breakers open/close} – [350], [350X]



This application mode provides the following functions:

- operation of the engine (start/stop)
- monitoring and display of generator and engine parameters
- monitoring of selected parameters and protection of the generator and the engine
- opening and closing the GCB
- dead bus monitoring and logic
- operating the MCB (open/close)
- emergency power (AMF automatic mains failure) operation

Operating Modes



Operating Mode STOP



NOTE

Selecting the operating mode STOP is not the same as an EMERGENCY STOP. In some cases the easYgen will perform additional logic functions, such as an engine cool down period, before the engine is stopped. It is recommended that an EMERGENCY STOP discrete input is utilized and programmed as a class F alarm (only configurable via LeoPC1).



In the STOP operating mode neither the engine or the power circuit breakers can be operated. The following occurs if operating mode STOP has been selected while...

...the engine is not running

1. The GCB will not close
2. The fuel solenoid relay cannot be enabled
3. The discrete inputs "Oil pressure" and "Coolant Temperature" are ignored
4. The push buttons START - STOP and BREAKER CONTROL are disabled
5. The engine/generator monitoring remains de-activated (exception: all monitoring that is not delayed by the delayed engine speed monitoring)
6. The MCB will be closed if it is open [350], [350X]

...the engine is running

1. The GCB will open if it is closed
2. The MCB will close if the GCB is open and mains are present
3. An engine cool down will be performed
4. The fuel solenoid relay will be disabled
5. Selected engine/generator monitoring functions (this includes under-voltage, -frequency, -speed, oil pressure) will be de-activated (exception: all monitoring that is not delayed by the delayed engine speed monitoring)

Operating Mode **MANUAL**



NOTE

You find an overview about the buttons, LEDs and the seven-segment display under Operation and Navigation on page 34.



In the MANUAL operating mode (AUTO - MANUAL button 3) the engine and the power circuit breakers are operated via the BREAKER CONTROL button 4. The LED 16 in the upper right corner of the AUTO - MANUAL button 3 indicates the manual operating mode.

You can perform the following actions in the MANUAL operating mode depending on the application mode:

Application Mode {2 breakers open/close} – [350], [350X]



The START - STOP button 5
 Start the engine (if the engine is stopped, LED 13 is not illuminated)
 Stop the engine (if the engine is running, LED 13 is illuminated)



The BREAKER CONTROL button 4
 Open the GCB and close the MCB (if the control unit is in generator operation (LEDs 11 and 12 are illuminated) and mains are present, LED 9 is illuminated)
 Open the MCB and close the GCB (if the control unit is in mains operation (LEDs 9 and 10 are illuminated) and engine is running, LED 13 is illuminated)

Detailed operation with 2 CBs in manual mode (mains are present)

- Preconditions:**
- Generator is stopped – LED 12 is not illuminated
 - MCB is closed – LED 10 is illuminated
 - Mains are present – LED 9 is illuminated
 - Unit is in manual mode – LED 16 is illuminated

Engine start sequence:

Action	<i>START</i>	Press the START - STOP button 5
Delay	<i>Preglow time</i>	The relay will energize the glow plugs for the time configured in the engine parameters (page 73)
Operation	<i>Fuel relay</i>	The fuel relay (relay 5) is energized to enable the fuel solenoid
Operation	<i>Crank relay</i>	The crank relay (relay 6) is energized to engage the starter – LED 12 illuminates and LED 13 starts flashing when generator speed has been detected
Delay	<i>Engine delay time</i>	The engine monitoring is delayed until time configured in the engine parameters (page 74) expires – LED 13 changes to steady illumination after the time expires

GCB close sequence:

Action	<i>Breaker control</i>	Pressing the BREAKER CONTROL button 4
Operation	<i>Open MCB</i>	The MCB open relay (relay 1) energizes to open the MCB – LED 10 goes out
Delay	<i>Breaker delay</i>	The control unit waits for the breaker transfer time configured in the breaker parameters (page 75) to expire
Operation	<i>Close GCB</i>	The GCB close relay (relay 2) energizes to close the GCB – LED 11 illuminates

MCB close sequence:

Action	<i>Breaker control</i>	Press the BREAKER CONTROL button ④
Operation	<i>Open GCB</i>	The GCB close relay (relay 2) de-energizes to open the GCB – LED ⑪ goes out
Delay	<i>Breaker delay</i>	The control unit waits for the breaker transfer time configured in the breaker parameters (page 75) to expire
Operation	<i>Close MCB</i>	The MCB open relay (relay 2) de-energizes to close the MCB – LED ⑩ illuminates

Stop sequence via START - STOP:

Action	<i>STOP</i>	Press the START - STOP button ⑤
Operation	<i>Open GCB</i>	The GCB close relay (relay 2) de-energizes to open the GCB – LED ⑪ goes out
Operation	<i>Engine stop</i>	The engine stops – LEDs ⑫ and ⑬ go out
Action	<i>Breaker control</i>	Pressing the BREAKER CONTROL button ④
Operation	<i>Close MCB</i>	The MCB open relay (relay 1) de-energizes to close the MCB – LED ⑩ illuminates

Stop sequence via STOP one time:

Action	<i>STOP</i>	Press the STOP button ⑥ once
Operation	<i>Open GCB</i>	The GCB close relay (relay 2) de-energizes to open the GCB – LED ⑪ goes out
Delay	<i>Breaker delay</i>	The control unit waits for the breaker transfer time configured in the breaker parameters (page 75) to expire
Operation	<i>Close MCB</i>	The MCB open relay (relay 1) de-energizes to close the MCB – LED ⑩ illuminates
Delay	<i>Cool down time</i>	The control unit waits for the cool down time configured in the engine parameters (page 74) to expire
Operation	<i>Engine stop</i>	The engine stops – LEDs ⑫ and ⑬ go out

Stop sequence via STOP two times:

Action	<i>STOP</i>	Press the STOP button ⑥ twice
Operation	<i>Open GCB</i>	The GCB close relay (relay 2) de-energizes to open the GCB – LED ⑪ goes out
Delay	<i>Breaker delay</i>	The control unit waits for the breaker transfer time configured in the breaker parameters (page 75) to expire
Operation	<i>Close MCB</i>	The MCB open relay (relay 1) de-energizes to close the MCB – LED ⑩ illuminates
Operation	<i>Engine stop</i>	The engine stops immediately without a cool down period – LEDs ⑫ and ⑬ go out

Detailed operation with 2 CBs in manual mode (mains are not present) - [350], [350X]

- Preconditions:**
- Generator is stopped – LED ⑫ is not illuminated
 - MCB is closed – LED ⑩ is illuminated
 - Mains are not present – LED ⑨ is not illuminated
 - Unit is in manual mode – LED ⑯ is illuminated

Engine start sequence:

Action	<i>START</i>	Press the START - STOP button 5
Delay	<i>Preglow time</i>	If diesel start logic is selected the relay will energize the glow plugs for the time configured in the engine parameters (page 73)
Operation	<i>Fuel relay</i>	The fuel relay (relay 5) is energized to enable the fuel solenoid
Operation	<i>Crank relay</i>	The crank relay (relay 6) is energized to engage the starter – LED 12 illuminates and LED 13 starts flashing when generator speed has been detected
Delay	<i>Engine delay time</i>	The control unit waits for the engine monitoring delay time configured in the engine parameters (page 74) to expire – LED 13 changes to steady illumination after the time expires

GCB close sequence:

Action	<i>Breaker control</i>	Press the BREAKER CONTROL button 4
Operation	<i>Open MCB</i>	The MCB open relay (relay 1) energizes to open the MCB – LED 10 goes out
Delay	<i>Breaker delay</i>	The control unit waits for the breaker transfer time configured in the breaker parameters (page 75) to expire
Operation	<i>Close GCB</i>	The GCB close relay (relay 2) energizes to close the GCB – LED 11 illuminates

GCB open sequence:

Action	<i>Breaker control</i>	Press the BREAKER CONTROL button 4
Operation	<i>Open GCB</i>	The GCB close relay (relay 2) de-energizes to open the GCB – LED 11 goes out

Note The MCB close command will not be issued unless the mains return

Stop sequence via START - STOP:

Action	<i>STOP</i>	Press the START - STOP button 5
Operation	<i>Open GCB</i>	The GCB close relay (relay 2) de-energizes to open the GCB – LED 11 goes out
Operation	<i>Engine stop</i>	The engine stops – LEDs 12 and 13 go out
Action	<i>Breaker control</i>	Pressing the BREAKER CONTROL button 4
Operation	<i>Close MCB</i>	The MCB open relay (relay 1) de-energizes to close the MCB – LED 10 illuminates

Stop sequence via STOP one time:

Action	<i>STOP</i>	Press the STOP button 6 once
Operation	<i>Open GCB</i>	The GCB close relay (relay 2) de-energizes to open the GCB – LED 11 goes out
Delay	<i>Breaker delay</i>	The control unit waits for the breaker transfer time configured in the breaker parameters (page 75) to expire
Operation	<i>Close MCB</i>	The MCB open relay (relay 1) de-energizes to close the MCB – LED 10 illuminates
Delay	<i>Cool down time</i>	The control unit waits for the cool down time configured in the engine parameters (page 74) to expire
Operation	<i>Engine stop</i>	The engine stops – LEDs 12 and 13 go out

Stop sequence via STOP two times:

Action	<i>STOP</i>	Press the STOP button 6 twice
Operation	<i>Open GCB</i>	The GCB close relay (relay 2) de-energizes to open the GCB – LED 11 goes out
Delay	<i>Breaker delay</i>	The control unit waits for the breaker transfer time configured in the breaker parameters (page 75) to expire
Operation	<i>Close MCB</i>	The MCB open relay (relay 1) de-energizes to close the MCB – LED 10 illuminates
Operation	<i>Engine stop</i>	The engine stops – LEDs 12 and 13 go out

Application Mode {1 breaker open/close} – [320], [320X], [350], [350X]



The START - STOP button 5

Starts the engine (if the engine is stopped, LED 13 is not illuminated)

Stops the engine (if the engine is running, LED 13 is illuminated)



The BREAKER CONTROL button 4

Opens the GCB (if the GCB is closed LED 11 is illuminated)

Closes the GCB (if the GCB is open (LED 11 not illuminated) and the engine is running(LED 13 is illuminated))

Detailed operation with 1 CB in manual mode

- Preconditions:**
- Generator is stopped – LED 12 is not illuminated
 - Unit is in manual mode – LED 16 is illuminated

Engine start sequence:

Action *START*

Delay *Preglow time*

Operation *Fuel relay*

Operation *Crank relay*

Delay *Engine delay time*

Press the START - STOP button 5

If diesel start logic is selected the relay will energize the glow plugs for the time configured in the engine parameters (page 73)

The fuel relay (relay 5) is energized to enable the fuel solenoid

The crank relay (relay 6) is energized to engage the starter –

LED 12 illuminates and LED 13 starts flashing when generator speed has been detected

The control unit waits for the engine monitoring delay time configured in the engine parameters (page 74) to expire – LED 13 changes to steady illumination after the time expires

GCB close sequence:

Action *Breaker control*

Operation *Close GCB*

Press the BREAKER CONTROL button 4

The GCB close relay (relay 2) energizes to close the GCB – LED 11 illuminates

GCB open sequence:

Action *Breaker control*

Operation *Open GCB*

Press the BREAKER CONTROL button 4

The GCB close relay (relay 2) de-energizes to open the GCB – LED 11 goes out

Stop sequence via START - STOP:

Action *STOP*

Operation *Open GCB*

Operation *Engine stop*

Press the START - STOP button 5

The GCB close relay (relay 2) de-energizes to open the GCB – LED 11 goes out

The engine stops – LEDs 12 and 13 go out

Stop sequence via STOP one time:

Action *STOP*

Operation *Open GCB*

Delay *Cool down time*

Operation *Engine stop*

Press the STOP button 6 once

The GCB close relay (relay 2) de-energizes to open the GCB – LED 11 goes out

The control unit waits for the cool down time configured in the engine parameters (page 74) to expire

The engine stops – LEDs 12 and 13 go out

Stop sequence via STOP two times:

Action *STOP*

Operation *Open GCB*

Operation *Engine stop*

Press the STOP button 6 twice

The GCB close relay (relay 2) de-energizes to open the GCB – LED 11 goes out

The engine stops – LEDs 12 and 13 go out

Operating Mode AUTOMATIC



In the AUTOMATIC operating mode, all engine, GCB, and/or MCB functions are operated via the discrete inputs or automatically by the control unit (i.e. a mains failure). The function of the easYgen depends on the configuration of the unit and how the external signals are used. LED 15, in the upper left corner of the AUTO - MANUAL button 3, indicates the automatic operating mode.

Detailed operation with 2 CBs in automatic mode (mains are present) - [350], [350X]

- Preconditions:**
- Generator is stopped – LED 12 is not illuminated
 - MCB is closed – LED 10 is illuminated
 - Mains are present – LED 9 is illuminated
 - Unit is in automatic mode – LED 15 is illuminated

Start sequence:

Action	<i>Remote start</i>	Discrete input DI3 (remote start) is activated (active HIGH signal) at terminal 18
Delay	<i>Preglow time</i>	If diesel start logic is selected the relay will energize the glow plugs for the time configured in the engine parameters (page 73)
Operation	<i>Fuel relay</i>	The fuel relay (relay 5) is energized to enable the fuel solenoid
Operation	<i>Crank relay</i>	The crank relay (relay 6) is energized to engage the starter – LED 12 illuminates and LED 13 starts flashing when generator speed has been detected
Delay	<i>Engine delay time</i>	The control unit waits for the engine monitoring delay time configured in the engine parameters (page 74) to expire – LED 13 changes to steady illumination after the time expires
Operation	<i>Open MCB</i>	The MCB open relay (relay 1) energizes to open the MCB – LED 10 goes out
Delay	<i>Breaker delay</i>	The control unit waits for the breaker transfer time configured in the breaker parameters (page 75) to expire
Operation	<i>Close GCB</i>	The GCB close relay (relay 2) energizes to close the GCB – LED 11 illuminates

Stop sequence:

Action	<i>Remote stop</i>	Discrete input DI3 (remote start) is deactivated (active LOW signal) at terminal 18
Operation	<i>Open GCB</i>	The GCB close relay (relay 2) de-energizes to open the GCB – LED 11 goes out
Delay	<i>Breaker delay</i>	The control unit waits for the breaker transfer time configured in the breaker parameters (page 75) to expire
Operation	<i>Close MCB</i>	The MCB open relay (relay 1) de-energizes to close the MCB – LED 10 illuminates
Delay	<i>Cool down time</i>	The control unit waits for the cool down time configured in the engine parameters (page 74) to expire
Operation	<i>Engine stop</i>	The engine stops – LEDs 12 and 13 go out

Detailed operation with 2 CBs in automatic mode (mains are not present) - [350], [350X]

- Preconditions:**
- Generator is stopped – LED 12 is not illuminated
 - MCB is closed – LED 10 is illuminated
 - Mains are not present – LED 9 is not illuminated
 - Unit is in automatic mode – LED 15 is illuminated

Start sequence:

Action	<i>Remote start</i>	Discrete input DI3 (remote start) is activated (active HIGH signal) at terminal 18
Delay	<i>Preglow time</i>	If diesel start logic is selected the relay will energize the glow plugs for the time configured in the engine parameters (page 73)
Operation	<i>Fuel relay</i>	The fuel relay (relay 5) is energized to enable the fuel solenoid
Operation	<i>Crank relay</i>	The crank relay (relay 6) is energized to engage the starter – LED 12 illuminates and LED 13 starts flashing when generator speed has been detected
Delay	<i>Engine delay time</i>	The control unit waits for the engine monitoring delay time configured in the engine parameters (page 74) to expire – LED 13 changes to steady illumination after the time expires
Operation	<i>Open MCB</i>	The MCB open relay (relay 1) energizes to open the MCB – LED 10 goes out
Delay	<i>Breaker delay</i>	The control unit waits for the breaker transfer time configured in the breaker parameters (page 75) to expire
Operation	<i>Close GCB</i>	The GCB close relay (relay 2) energizes to close the GCB – LED 11 illuminates

Stop sequence:

Action	<i>Remote stop</i>	Discrete input DI3 (remote start) is deactivated (active LOW signal) at terminal 18
Operation	<i>Open GCB</i>	The GCB close relay (relay 2) de-energizes to open the GCB – LED 11 goes out
Delay	<i>Cool down time</i>	The control unit waits for the cool down time configured in the engine parameters (page 74) to expire
Operation	<i>Engine stop</i>	The engine stops – LEDs 12 and 13 go out

**NOTE**

The MCB described in the above text will only close if the mains return.

AMF / Auto Mains Failure Operation - [350], [350X]

The operation sequence for an AMF operation is similar to the above sequence with the difference that a remote start signal is not required for the engine start and the engine monitoring delay time is not considered, i.e. the CBs are operated immediately. For an AMF operation in automatic mode the parameter Emergency power monitoring (page 75) must be configured to ON, no class F alarms may be present, the engine must be ready for operation, and the configured mains fail delay time (page 75) must expire to start the engine.

Example for an AMF Operation:

Initial situation:

- Mains are present
- Mains circuit breaker is closed
- The generator controller is in the automatic operation mode and emergency stand-by

A mains failure occurs:

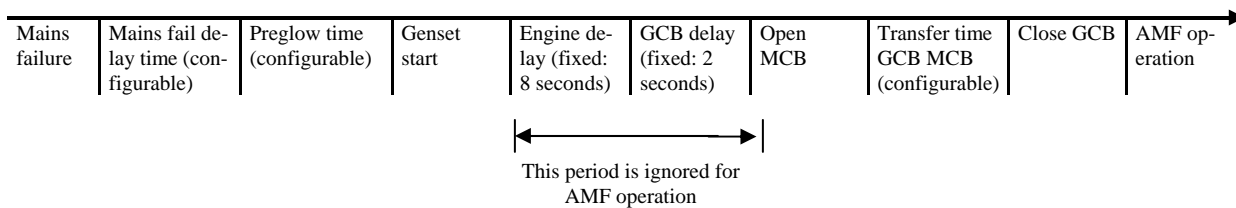
- Mains are not present

Reaction of the unit:

- The mains failure is detected by the unit
- The period configured in the parameter "Mains fail delay time" expires
- The period configured in the parameter "Preglow time" expires
- The generator will be started
- The mains circuit breaker will be opened
- The time configured in the parameter "Transfer time GCBMCB" expires
- The generator circuit breaker will be closed
- The unit is in auto emergency power operation now

The mains return:

- The return of the mains is detected by the unit
- The period configured in the parameter "Mains settling time" expires
- The generator circuit breaker will be opened
- The "Transfer time GCBMCB" and "Cool down time" timers start to run
- If the time configured in the parameter "Transfer time GCBMCB" expires, the MCB will be closed
- If the time configured in the parameter "Cool down time" expires, the generator/engine will be shut down
- The unit is back in emergency stand-by



Detailed operation with 1 CB in Automatic mode

- Preconditions:**
- Generator is stopped – LED **12** is not illuminated
 - Unit is in Automatic mode – LED **15** is illuminated

Start sequence:

Action	<i>Remote start</i>	Discrete input DI3 (remote start) is activated (active HIGH signal) at terminal 18
Delay	<i>Preglow time</i>	If diesel start logic is selected the relay will energize the glow plugs for the time configured in the engine parameters (page 73)
Operation	<i>Fuel relay</i>	The fuel relay (relay 5) is energized to enable the fuel solenoid
Operation	<i>Crank relay</i>	The crank relay (relay 6) is energized to engage the starter – LED 12 illuminates and LED 13 starts flashing when generator speed has been detected
Delay	<i>Engine delay time</i>	The control unit waits for the engine monitoring delay time configured in the engine parameters (page 74) to expire – LED 13 changes to steady illumination after the time expires
Operation	<i>Close GCB</i>	The GCB close relay (relay 2) energizes to close the GCB – LED 11 illuminates

Stop sequence:

Action	<i>Remote stop</i>	Discrete input DI3 (remote start) is deactivated (active LOW signal) at terminal 18
Operation	<i>Open GCB</i>	The GCB close relay (relay 2) de-energizes to open the GCB – LED 11 goes out
Delay	<i>Cool down time</i>	The control unit waits for the cool down time configured in the engine parameters (page 74) to expire
Operation	<i>Engine stop</i>	The engine stops – LEDs 12 and 13 go out

Breaker Closure Limits



Generator Circuit Breaker

The easYgen-300 series has fixed breaker closure limits which prevent the GCB closure if the generator voltage and/or frequency is/are not within these limits. These limits depend on the parameters rated system frequency and rated generator voltage (refer to Measuring on page 71) and cannot be changed. The limits are set as follows:

$f_{\text{generator}}$ must be within $f_{\text{rated system}} \pm 10\%$

Examples:

If the rated system frequency is set to 50 Hz, the upper limit is at 55 Hz and the lower limit is at 45 Hz.

If the rated system frequency is set to 60 Hz, the upper limit is at 66 Hz and the lower limit is at 54 Hz.

$V_{\text{generator}}$ must be within $V_{\text{rated generator}} \pm 10\%$

Examples:

If the rated generator voltage is set to 400 V, the upper limit is at 440 V and the lower limit is at 360 V.

If the rated generator voltage is set to 120 V, the upper limit is at 108 V and the lower limit is at 132 V.

If the generator voltage and/or frequency is/are not within these limits, the generator LED 12 is flashing and the GCB cannot be closed.

If the generator voltage and frequency are within these limits, the generator LED 12 is permanently on and the GCB may be closed.

Mains Circuit Breaker

The easYgen-350 and 350X have flexible breaker closure limits which prevent the MCB closure if the mains voltage and/or frequency is/are not within the mains failure limits.

These limits depend on the parameters rated system frequency and rated mains voltage and can be freely configured (refer to Monitoring: Mains Failure Limits on page 80 for details).

The conditions for closing the MCB are specified as follows and all conditions must be fulfilled:

- The mains voltage is present.
- The mains settling time (refer to Emergency Power (AMF) on page 75) has expired.
- NONE of the following alarms is present:
 - Mains over/underfrequency
 - Mains over/undervoltage
 - Mains rotation field alarm

If the mains voltage is present, but the voltage and/or frequency is/are not within these limits, the mains LED 9 is flashing, and the MCB cannot be closed.

If the mains voltage and frequency are within these limits, and the mains settling time has expired, the mains LED 9 is illuminated permanently, and the MCB may be closed.

The mains LED 9 is off, if the phase-neutral measuring voltage is below 10V.

Functional Description of the Oil Pressure Input DI1



The easYgen-300 series is provided with an input for oil pressure. The function of this discrete input is described in the following.

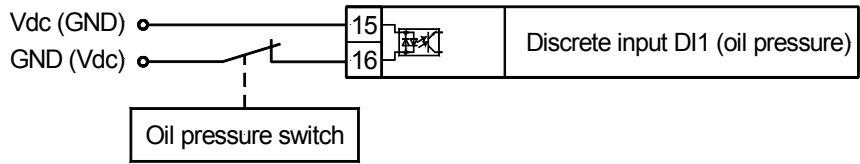


Figure 8-2: Discrete input DI1 - oil pressure

Terminal	Description	A _{max}
15	DI1 oil pressure common	2.5 mm ²
16	DI1 oil pressure signal	2.5 mm ²

Table 8-1: Discrete input DI1 - oil pressure

The oil pressure switch is connected to the terminals 15 (common) and 16 (DI1 signal) on the easYgen-300. The oil pressure switch (OPS) must be a N.C. contact. If the oil pressure is below the minimum required pressure, the contacts need to close. If the oil pressure is above the minimum required pressure, the contacts need to be open. The oil pressure is only monitored if the easYgen detects speed/frequency from the genset. If the genset is in a stand-by or stop mode, the oil pressure switch is disabled.

Parameter "Crank termination by DI1"

If the parameter "Crank termination by DI1" is enabled, the oil pressure can be used to terminate the starting system for the engine. 2 seconds after oil pressure is detected, the crank relay will be disabled. The delay ensures that the crank relay is not disabled prior to the engine reaching firing speed.

Parameter "Starter time"

In all other applications, the starter is active only for the time configured in the parameter "Starter time".

The following diagram shows the starting procedure as a function of time.

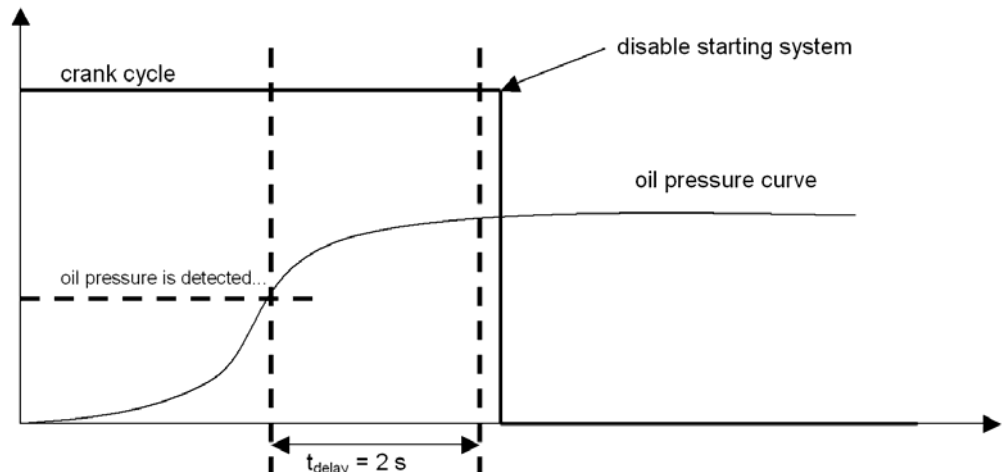


Figure 8-3: Starting procedure

Firing Speed Detection and Crank Termination



The firing speed is used for crank termination if the parameter "Crank termination by DI1" is not enabled (refer to Parameter "Crank termination by DI1" on page 61 if this parameter is enabled). When "Crank termination by DI1" is disabled, the firing speed is determined by the generator frequency or is calculated from the nominal speed and the rated system frequency. The control unit shows the following behavior:

Case 1:

Firing speed is reached if a minimum generator frequency of 15 Hz is detected. The easYgen versions [320] and [350] operate in this manner. It is possible for the easYgen versions [320X] and [350X] to also operate in this manner if the parameter "Speed pickup" is disabled.

Case 2:

Firing speed is reached if the calculated firing speed is detected via an MPU. The easYgen versions [320X] and [350X] must have the parameter "Speed pickup" enabled to operate in this manner.

The firing speed is calculated according to the following formula:
$$\text{Firing Speed} = \frac{\text{Nominal Speed}}{\text{Rated System Frequency}} * 15 \text{ Hz}$$

Example: If the nominal speed is 1,500 rpm and the rated system frequency is 50 Hz, the firing speed will be (1,500 rpm / 50Hz) * 15 Hz = 450 rpm. The crank will be terminated if the calculated speed exceeds 450 rpm.

Functional Description of the Charging Alternator Input/Output



The easYgen-300 series monitors the charging alternator operation with the following functionality.

In some cases the alternator itself needs auxiliary excitation from an auxiliary DC source to build up its terminal voltage during start-up. For this, the battery will be connected into the alternator excitation windings during the engine start-up. This ensures that the alternator will be self-excited and provides voltage for charging the battery after the start-up sequence.

The easYgen provides two features:

1. Auxiliary excitation for the alternator
2. Continuous monitoring of the alternator terminal voltage

If the engine is started, the easYgen's internal electronic switch is closed simultaneously with the crank relay output, and the battery voltage is applied to the exciter winding D+ through the internal switch contacts by terminal 3 (for 24V systems) or terminal 4 (for 12V systems). This pre-excites the charging alternator so that voltage is generated. The internal switch will disconnect the alternator excitation winding from the battery after the engine has started properly and the crank relay output has been de-energized to terminate the crank cycle. Now, the engine is driving the charging alternator, which is charging the battery through the alternator terminals. Terminal 3 (for 24V systems or terminal 4 for 12V systems) now acts as the charging alternator input for monitoring the charging voltage.

If the voltage on terminal 3 or 4 falls below a defined limit, the easYgen will initiate an "alternator charge failure" alarm.

The terminals 3 and 4 for alternator excitation act as individual resistors for 12 or 24Vdc alternators for current limiting against short circuit conditions due to the low impedance of the excitation winding.

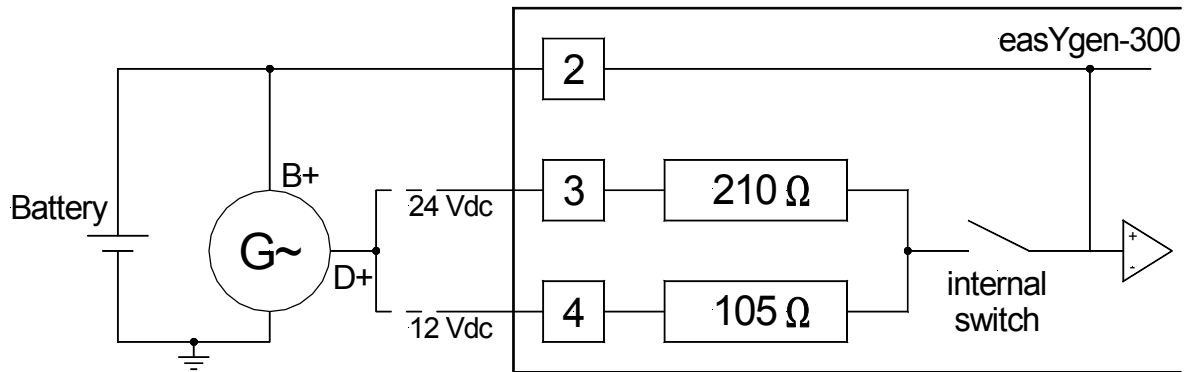


Figure 8-4: Charging alternator input/output



NOTE

The charging alternator D+ acts as an output for pre-exciting the charging alternator during engine start-up only. During regular operation, it acts as an input for monitoring the charging voltage.

Functional Description of the 2nd CB Close Delay Time



The easYgen-300 series provides Delayed close GCB and Delayed close MCB (only [350], [350X]) signals in the list of configurable parameters (find more details about this under Relay Outputs on page 92) in order to meet the requirements of some special circuit breaker types which require an Enable CB Close signal before the actual CB close signal. The function of these signals is described in the following text.

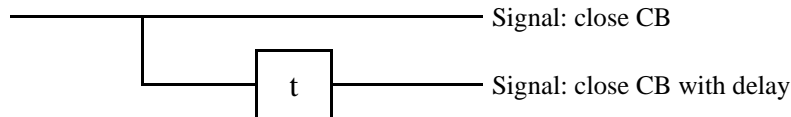
If those CBs are utilized, they require two Close CB signals with a time delay in between from two different relays. This can be achieved by selecting Delayed close GCB (MCB) from the list of configurable parameters for a freely configurable relay (relay 3 or 4). The delay time can be configured with the parameter 2nd GCB (MCB) Close Delay Time. If the user initiates the command Close GCB (MCB), the signal is immediately issued from the fixed relay (relay2 for GCB or relay 1 for MCB) assigned to give the close command. After the configured delay time has expired, the second Close GCB (MCB) signal is issued. The user configures the delay time for the second close command at the relay output.

Example for the functionality:

Assumption: The close GCB signal is to be issued parallel on a second relay with a delay. Relay 4 shall be used in this example for this. The parameter "Relay 4" has to be configured to "Delayed close GCB" from the list of configurable parameters (refer to Relay Outputs on page 92). The delay time may be configured with the parameter "2nd GCB close delay time"(refer to Application on page 72). A period of 2 seconds shall be configured for this example.

If the user triggers the command "Close GCB" now, the following sequence will be performed:

The signal "Close GCB" energizes the relay firmly assigned to it (relay 2) immediately. After the configured delay has expired, the signal "Close GCB" energizes the relay assigned by the user (relay 4 in this example) with the configured delay.



The delay "t" corresponds with the values of the parameters "2nd GCB close delay time" and "2nd MCB close delay time".

If the respective circuit breaker is opened, both relays return to their initial state.



NOTE

This functionality can only be configured using LeoPC1.

Functional Description of the Engine Released Signal



The easYgen-300 series provides the engine released signal in the list of configurable parameters (find more details about this under Relay Outputs on page 92). It is possible to use this signal for some special applications. Its functionality is described in the following for an emergency power supply.

Emergency power supply systems often require that all external system components (i.e. governors, etc.) except the genset control be disconnected from the battery power supply and that the battery is not loaded unnecessarily during engine downtime. This means that the external components shall only be connected with battery power, if the engine is operating.

To achieve this, a genset control signal is required, which connects the external components to the battery, as soon as the engine is started. This can be accomplished using the engine released signal when configuring a relay (relay 3 [350], [350X] or 4) to initiate this signal. The functionality is described in the following text with relay 4.

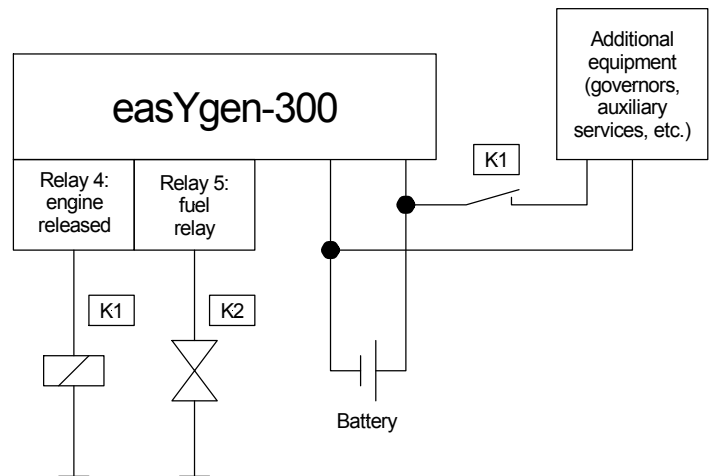


Figure 8-5: AMF application with engine released signal

The following functionality depends on the setting of the fuel relay (page 73):

Fuel relay configured as operating solenoid:

The easYgen detects the mains loss and initiates the engine start. Relay 4 (configured to engine released) and relay 5 (fuel relay) are energized. The fuel relay provides the fuel supply to the engine. Relay 4 closes the contact K1 and connects the battery power to the external components that they are ready for operation. This ensures that these external components are not energized until they are needed.

Fuel relay configured as stop solenoid:

The easYgen detects the mains loss and initiates the engine start. Relay 4 (configured to engine released) is energized. Relay 4 closes the contact K1 and connects the battery power to the external components that are needed for operation. This ensures that these external components are not energized if they are not used. If the engine is stopped, relay 5 (fuel relay) will be energized, cutting off the fuel supply.



NOTE

It is not recommended to use the fuel relay signal for connecting the external equipment with the battery since this signal drops in amplitude with every possible start pause in contrast to the engine released signal.

Chapter 9. Configuration

Restoring Default Values



The easYgen can be reset to factory settings easily. This may be comfortable for configuring the easYgen from a known state.



NOTE

The unit has to be in **Operating Mode STOP** (page 51) to load the default values.

Resetting Via the Front Panel

Preconditions for loading the default values:

- Unit must be in operation mode STOP – LED 17 is illuminated
- The engine must be stopped – LED 13 is not illuminated
- No generator voltage may be present – LED 12 is not illuminated

Press and hold the UP  7, ALARM  2, and STOP  6 buttons simultaneously for at least 10 seconds to reset the values. The factory default values have been restored when all the LEDs flash briefly.,

Resetting Via LeoPC1

Precondition for loading the default values:

- Unit has to be in operation mode STOP – LED 17 is illuminated

Connect the easYgen with your PC and start LeoPC1 as described in Configuration Using the PC on page 67. Set the parameter Factory settings to YES. Set the parameter Set default values to YES. Now, the default values are loaded.

Configuration Via the Front Panel



Operating the control unit via the front panel is explained in Configuring the easYgen on page 36. Familiarize yourself with the unit, the buttons’ meaning/function, and the display monitoring using this section. The display of the parameters via the front panel and the display of the parameters via the computer program LeoPC1 will differ.



NOTE

Not all parameters may be accessed or changed when configuring the control unit via the front panel. To properly commission a control unit, LeoPC1 v3.1xxx or higher and a DPC cable (P/N 5417-557) are required.

Configuration Using the PC



CAUTION

For the configuration of the unit via the PC please use the LeoPC1 software with the following software version:

LeoPC1 3.1 or higher



NOTE

Please note that configuration using the direct configuration cable DPC (product number 5417-557) is possible starting with revision B of the DPC (first delivered July 2003). If you have an older model please contact our sales department.

For configuration of the unit via PC program please proceed as follows:

- Install the LeoPC1 program on your notebook/PC according to the provided user manual 37146. Consider the options that are given during the installation.
- Prior to the completion of the installation you will be prompted to select the language with which you want to start the PC program. The language of LeoPC1 may be changed at any time. The selection of the language refers only to language with which the menus and subprograms that LeoPC1 program works with. This setting will not change the configured language of the control unit.
- After the installation of LeoPC1 has been completed it is necessary to reboot your notebook/PC.
- Establish a connection between your notebook/PC and the control unit via the DPC cable. Insert the RJ45 plug into the RJ45 port on the control unit (see DPC - Direct Configuration Cable on page 32 for details) and the serial cable to the COM1 port of your notebook/PC.
- You can now start the PC program as follows:
 - by "Start/Program/Woodward/LeoPC1" (version 3.1 or higher) and opening the respective cfg file, or
 - by a double click on the respective file ending ".cfg" in the subdirectory "/LeoPC1".
 The cfg files differ in their language used. Use the file on the enclosed floppy disk with the language you want, i.e. US for US English or DE for German.
- After the LeoPC1 program has started, establish communication by pressing the F2 button or selecting Communication -> Connect from the menu. This will establish a data link between the control unit and the notebook/PC.
- Start the configuration routine pressing the F3 button or selecting Devices -> Parameterize from the menu and adjust the parameter of the unit to your application using this manual.



NOTE

You find detailed information about LeoPC1 and the utilization of the software in the user manual 37146 belonging to it.



NOTE

The connection cables delivered with the DPC must be used to connect it to ensure a proper function of the easYgen. An extension or utilization of different cable types for the connection between easYgen and DPC may result in a malfunction of the easYgen. This may further result in damage to components of the system. If an extension of the data connection line is required, only the serial cable between DPC and notebook/PC may be extended.



NOTE

Unplug the DPC after configuration to ensure a safe operation! If the DPC remains plugged into the easYgen-300 unit, a safe operation of the unit can not be guaranteed.

Editing the Configuration File



If you want to edit the configuration file in order to inhibit resetting the counters, you have to proceed as follows:

Open the configuration file in a text editor

In order to edit the configuration file, open the respective *.asm file in the "Tools" subdirectory of your LeoPC1 installation path with a text editor like Microsoft Notepad. An example of a name (depending on unit and software version) for a configuration file is:

8440-1701_NEW_EASYGEN350X_x20002_pDirUS.asm

Delete the lines which are used to display the counter entries in the LeoPC1 configuration

The lines to be deleted in the *.asm file are:

```
;!K <b> <color=EE0000> --CONFIG.COUNTERS---</b>
%TAB 0,0,0,H'03;!z2550,"> Maintenance hours","0000h",1.0,0,9999
%TAB 0,0,0,H'03;!M2562,"> reset maintenance period h" ,H'FFFF,2,"No","Yes"
%TAB 0,0,0,H'03;!l2515,"> Counter value preset","00000000",1.0
%TAB 0,0,0,H'03;!M2554,"> Set operation hours" ,H'FFFF,2,"No","Yes"
%TAB 0,0,0,H'03;!z2540,"> Number of starts","00000",1.0,0,65535
```

Store the modified file

Store the modified configuration file back to the "Tools" subdirectory of your LeoPC1 installation path under the same file name.

If you load the modified file in LeoPC1 now, the deleted lines will not be displayed in the configuration menu anymore.

Configuring the Flags



The easYgen-300 series provides four configurable LED flags in the alphanumeric display to indicate alarms. One or more alarm messages can be assigned to each one of these flags (i.e. the respective flag will be illuminated if the configured alarm state(s) occur(s) in addition to the regular alarm indication). A detailed description of these flags can be found in the chapter Alarm Messages on page 41. The configuration parameter is described in detail under Flags on page 97. The flags may only be configured using LeoPC1.

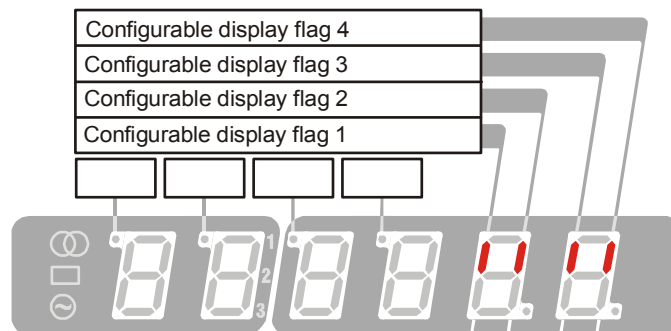


Figure 9-1: Configurable display flags

The flag parameters are displayed in LeoPC1 (refer to Configuration Using the PC on page 67 and the LeoPC1 user manual 37146 for more information) under System – Codes like shown in Figure 9-2 in default state (alarm "Start fail" is assigned to flag 1). The parameter with the name "Flag 1 Start fail" has the value "Yes", i.e. the alarm "Start fail" is assigned to flag 1.

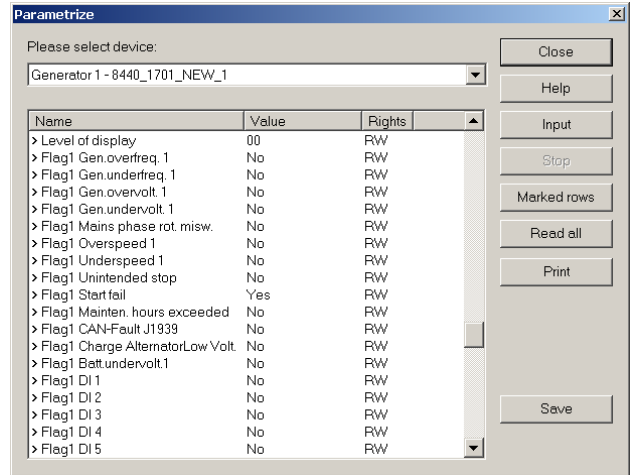


Figure 9-2: Flag configuration default

You may assign as many alarms as required to one flag using LeoPC1. Just mark the respective entry and press Input to configure the alarm assignment or double-click the entry for configuration. The example in Figure 9-3 shows that the alarms "Unintended stop" and "Start fail" are assigned to flag 1, i.e. the flag is illuminated (flashing) if at least one of these alarms is present.

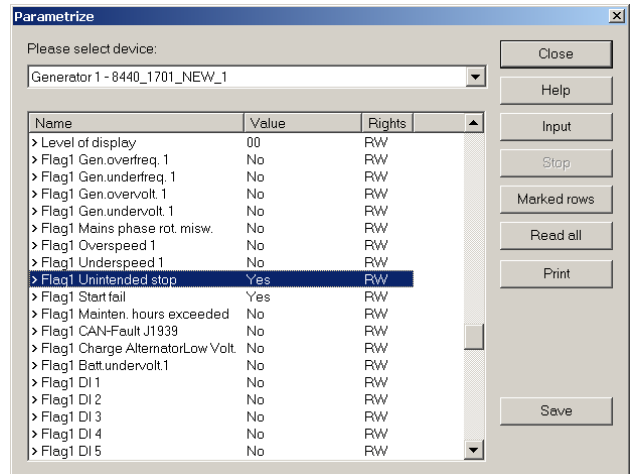
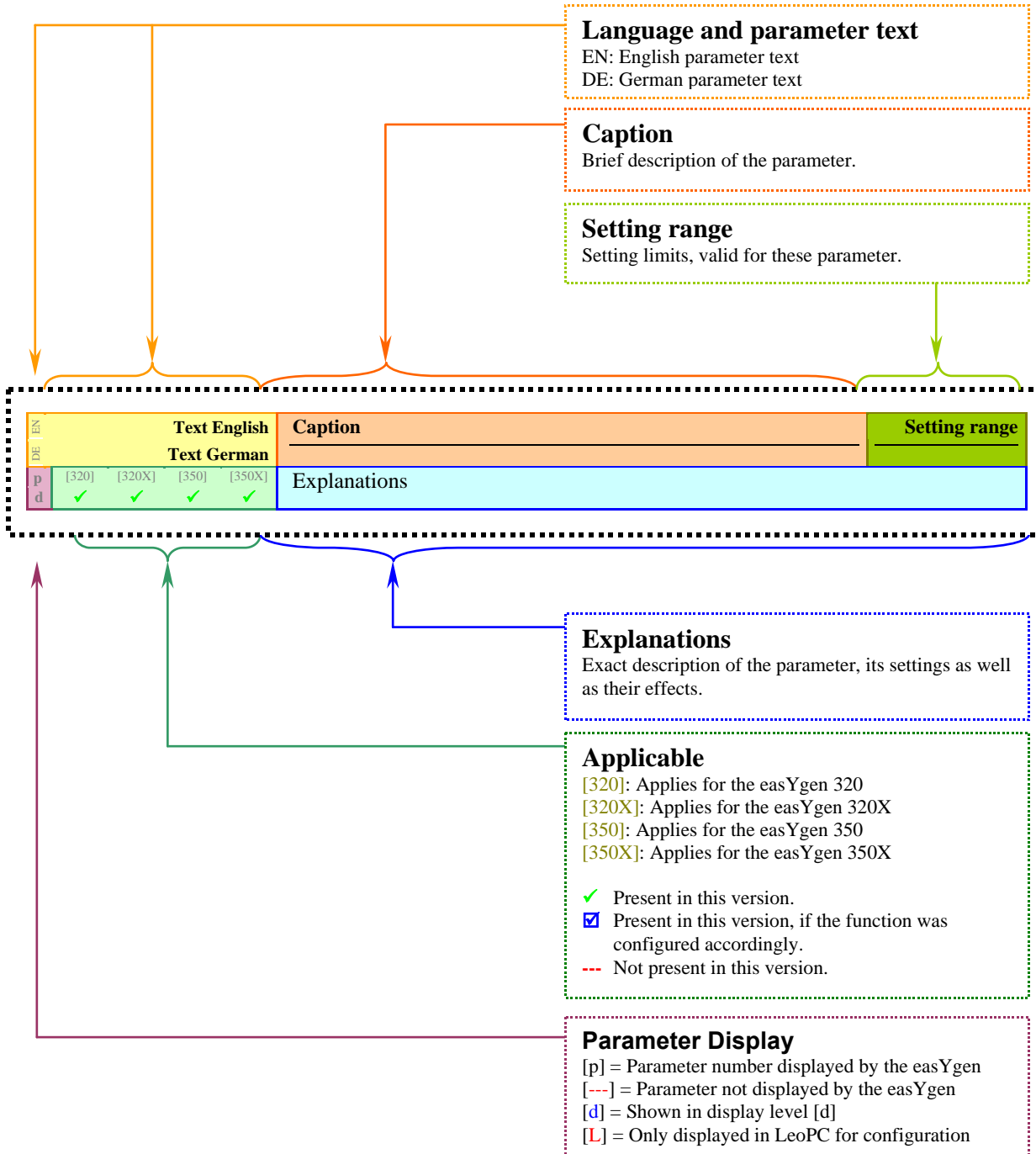


Figure 9-3: Flag configuration custom

Chapter 10. Parameters

The following description of parameters is expanded to include all parameters that are accessible through LeoPC1. Not all parameters are accessible via the front panel. Most of the parameters, which are accessible via the front panel are password protected and are only accessible after entering a password.



Measuring



EN	Rated system frequency			
DE	Nennfrequenz im System			
10	[320]	[320X]	[350]	[350X]
3	✓	✓	✓	✓

Rated system frequency

50/60 Hz

The rated frequency of the system has to be configured here.
The generator frequency monitoring as well as the mains failure limits refer to the value configured in this parameter.

EN	Rated voltage generator			
DE	Nennspannung Generator			
11	[320]	[320X]	[350]	[350X]
3	✓	✓	✓	✓

Rated generator voltage

50 to 480 V

The rated voltage of the generator has to be configured here.
The generator voltage monitoring refers to the value configured in this parameter.

EN	Rated voltage mains			
DE	Nennspannung Netz			
12	[320]	[320X]	[350]	[350X]
3	---	---	✓	✓

Rated mains voltage

50 to 480 V

The rated voltage of the mains has to be configured here.
The mains failure limits refer to the value configured in this parameter.

EN	Generator voltage measuring			
DE	Gen. Spannungsmessung			
---	[320]	[320X]	[350]	[350X]
L	✓	✓	✓	✓

Generator voltage measurement

3Ph 4W / 3Ph 3W / 1Ph 2W / 1Ph 3W

The method of voltage measurement for the generator. This parameter is set to 1Ph 2W and cannot be changed for the easYgens [320] and [350].

A detailed description of the different measurement methods can be found in Voltage Measuring on page 22.

EN	Mains voltage measuring			
DE	Netz Spannungsmessung			
---	[320]	[320X]	[350]	[350X]
L	---	---	✓	✓

Mains voltage measurement

3Ph 4W / 3Ph 3W / 1Ph 2W / 1Ph 3W

The measurement principle for the mains. This parameter is set to 3Ph 4W and cannot be changed for [350].

A detailed description of the different measurement methods can be found in Voltage Measuring on page 22.



NOTE

The correct configuration of these parameters is essential for a proper operation of the control unit.

Application



EN	Ignore CB reply	Ignore CB reply	YES/NO
DE	Ignoriere Rückmeldung LS		
---	[320] [320X] [350] [350X]	This parameter controls the function of the discrete inputs DI4 and DI5.	
L	✓ ✓ ✓ ✓	<p>YES The discrete inputs DI4 and DI5 are freely configurable. The parameters of the discrete inputs can be accessed and configured via LeoPC1.</p> <p>NO The discrete inputs DI4 and DI5 operate as reply inputs for the mains (DI4) or generator (DI5) circuit breaker. The parameters of the discrete inputs can be accessed via LeoPC1 but cannot be changed.</p>	



CAUTION

The customer must ensure that a mechanical interlock for the circuit breakers exists for the case that the parameter "Ignore CB reply" is configured to "YES".

EN	2nd GCB close Delay time	2nd GCB close delay time	0.00 to 650.00
DE	Verz. Zeit zweiten GLS schließen		
---	[320] [320X] [350] [350X]	This parameter controls the delay for the 2 nd GCB close signal. The application and behavior of this signal is described under Functional Description of the 2nd CB Close Delay Time on page 63.	
L	✓ ✓ ✓ ✓		

EN	2nd MCB close Delay time	2nd MCB close delay time	0.00 to 650.00
DE	Ver. Zeit zweiten NLS schließen		
---	[320] [320X] [350] [350X]	This parameter controls the delay for the 2 nd MCB close signal. The application and behavior of this signal is described under Functional Description of the 2nd CB Close Delay Time on page 63.	
L	--- --- ✓ ✓		

Engine



Engine: Diesel

EN	Fuel relay: close to stop			
DE	Kraftstoffmagnet: Stopmag.			
20	[320]	[320X]	[350]	[350X]
3	✓	✓	✓	✓

Fuel relay **close to stop / open to stop**

close to stop . To stop the engine the stop solenoid is energized. Once speed is no longer detected, the stop solenoid remains closed for the time configured by parameter "Time of motor stop".

open to stop . Before the starting sequence is initiated, the operating solenoid is energized. To stop the engine the operating solenoid is de-energized.

EN	Preglow time			
DE	Vorglühzeit			
21	[320]	[320X]	[350]	[350X]
3	✓	✓	✓	✓

Preglow time **0 to 300 s**

Before each starting the diesel engine is preglowed for this time (if a "0" has been configured here the engine will be started without preglow).

Engine: Pickup

EN	Speed pickup			
DE	Pickup			
30	[320]	[320X]	[350]	[350X]
3	---	✓	---	✓

Speed pick-up **ON/OFF**

ON.....Speed monitoring of the engine is performed using an MPU.

OFF.....Speed/frequency monitoring of the generator/engine is carried out by measuring the frequency of the generator. There is no MPU wired to this unit.

EN	Nominal speed			
DE	Nenn Drehzahl			
31	[320]	[320X]	[350]	[350X]
3	---	✓	---	✓

Nominal speed **500 to 4,000 RPM**

Revolutions per minute of the engine at rated engine speed.

EN	Number of gear teeth			
DE	Zähneanzahl			
32	[320]	[320X]	[350]	[350X]
3	---	✓	---	✓

Number of gear teeth **5 to 260**

Number of pulses per revolution.

Note: If the number of gear teeth is not correct, the speed will not be calculated correctly and this will lead to a speed/frequency mismatch alarm.

Engine: Start/Stop Automatic

EN	Starter time	Starter time	1 to 10 s
DE	Einrückzeit Anlasser		
---	[320] [320X] [350] [350X]	The maximum time during which the crank relay remains enabled. The starter relay de-energizes when the engine reaches ignition speed or the configured time expires.	
L	✓ ✓ ✓ ✓		
EN	Start pause time	Start pause time	10 to 99 s
DE	Startpausenzeit		
---	[320] [320X] [350] [350X]	Time between the individual starting attempts. (This time is used to protect the starter relay.)	
L	✓ ✓ ✓ ✓		
EN	Cool down time	Cool down time	0 to 999 s
DE	Motor Nachlaufzeit		
40	[320] [320X] [350] [350X]	Regular stop: If the engine performs a normal stop or changed into the STOP operation mode, a cool down with an opened GCB is carried out. This time is adjustable.	
3	✓ ✓ ✓ ✓		
		Stop by an alarm of class F: If a class F alarm is detected, the GCB will open immediately and the engine will shutdown without a cool down.	
EN	Time of motor stop	Time of motor stop	0 to 99 s
DE	Zeit für Motorstop		
---	[320] [320X] [350] [350X]	During this time a restart of the engine is blocked. This time should be configured so that the engine is totally shut down and protection of the engine start circuit is provided. Once speed from the engine is no longer detected the time configured by this parameter is initiated. If the fuel relay logic is configured to "close to stop", the "close to stop" Relay will be energized and stays energized until this timer has expired.	
L	✓ ✓ ✓ ✓		
EN	Crank termination by DI1	Crank termination by DI1	YES/NO
DE	Anlasser ausspüren über DI1		
---	[320] [320X] [350] [350X]	YES The starting system is disengaged when the oil pressure monitoring input DI1 indicates that adequate oil pressure has been detected (refer to Parameter "Crank termination by DI1" on page 61).	
L	✓ ✓ ✓ ✓		
		NO The crank termination will be performed if the firing speed is reached (refer to Firing Speed Detection on page 62) and the discrete input DI1 is only used for oil pressure monitoring.	
EN	Engine monit. delay time	Engine monitoring delay time	1 to 99 s
DE	Motorverzögerung		
---	[320] [320X] [350] [350X]	The engine monitoring is delayed to prevent initiating an alarm while the generator set is starting. The easYgen does not monitor under-voltage and –frequency and low oil pressure alarms until the delay time has expired.	
L	✓ ✓ ✓ ✓		

Breaker



EN	Transfer time GCB/MCB			
DE	Pasuenzeit GLSNLS			
--	[320]	[320X]	[350]	[350X]
L	---	---	✓	✓

Transfer time GCB/MCB

0.10 to 99.99 s

Switching from generator supply to mains supply or from mains supply to generator supply occurs automatically depending on the operating conditions. The time between the reply "power circuit breaker is open" and a close-pulse is set by this parameter. This time applies for both directions. During this time the busbar is dead.

Emergency Power (AMF)



EN	On/Off			
DE	Ein/Aus			
--	[320]	[320X]	[350]	[350X]
L	---	---	✓	✓

Emergency power monitoring On/Off

ON/OFF

ON.....If the unit is in operating mode AUTOMATIC and a mains fault according to the following parameters occurs, the engine is started and an automatic emergency operation is carried out.
OFF.....No emergency operation is carried out.

EN	Mains fail delay time			
DE	Startverzögerung			
--	[320]	[320X]	[350]	[350X]
L	---	---	✓	✓

Mains fail delay time

0.20 to 99.99 s

The minimum period of time that the monitored mains must be dead without interruption for the generator to start and carry out an emergency operation.

EN	Mains settling time			
DE	Netzberuhigungszeit			
80	[320]	[320X]	[350]	[350X]
3	---	---	✓	✓

Mains settling time

0 to 9,999 s

The easYgen will recognize that the mains have returned and are stable after they have been detected within the rated limits without interruption for the time configured in this parameter. If the mains drop below or rise above the configured limits the timer will start over. The load transfer from generator back to mains will be delayed by this parameter after a emergency power operation.

Password



EN	Password			
DE	Passwort			
00	[320]	[320X]	[350]	[350X]
1	✓	✓	✓	✓

HMI Password

0000 to 9999

The HMI password must be entered here to configure the control via the front panel. Once the password is entered, access to the configuration menus will be allowed for two hours. A user may exit the configuration mode by allowing the entered password to expire after two hours or by changing any one digit on the random number generated on the password screen and entering it into the unit. The default password is 0003.
 This parameter is only available from Software Version 2.0007 (refer to Update Information on page 9 for more info).



NOTE

The HMI password may be set with the parameter "Commissioning level code" (refer to Codes on page 96).

Monitoring



EN	Time until horn reset	Time until horn reset	0 to 1,000 s
DE	Zeit bis Hupenreset		
01	[320] [320X] [350] [350X]	The alarm LED flashes and the centralized alarm (horn) is issued when a new B to F class alarm is detected. After the delay time configured in "Time until horn reset" has expired, the flashing alarm LED changes to steady illumination and the centralized alarm (horn) is reset.	
1	✓ ✓ ✓ ✓	If this parameter is configured to 0 the horn will never be set.	

Monitoring: Generator

EN	Voltage monitoring generator	Voltage monitoring generator	fixed to 4 phase
DE	Spg. Überwachung Generator		
---	[320] [320X] [350] [350X]	The line voltages are monitored for the setting 3Ph 3W. The star voltages are monitored for all other voltage systems.	
---	✓ ✓ ✓ ✓		

Monitoring: Generator Overfrequency

EN	Monitoring	Generator overfrequency monitoring	fixed to ON
DE	Überwachung		
---	[320] [320X] [350] [350X]	The generator overfrequency monitoring is always enabled and cannot be disabled.	
---	✓ ✓ ✓ ✓		

EN	Limit	Generator overfrequency limit	50.0 to 130.0 %
DE	Limit		
50	[320] [320X] [350] [350X]	ⓘ This value refers to the Rated system frequency (see page 71).	
3	✓ ✓ ✓ ✓	The percentage threshold value that is to be monitored. If this value is reached or exceeded for at least the delay time, the action specified by the configured alarm class is initiated.	

EN	Delay	Generator overfrequency delay	0.1 to 99.9 s
DE	Verzögerung		
51	[320] [320X] [350] [350X]	If the monitored value exceeds the threshold value for the configured delay time, an alarm will be issued. If the monitored value falls below the threshold (minus the hysteresis) before the delay expires, the delay will be reset.	
3	✓ ✓ ✓ ✓		

EN	Alarm class	Generator overfrequency alarm class	fixed to F
DE	Alarmklasse		
---	[320] [320X] [350] [350X]	The generator overfrequency alarm class is set to "F" and cannot be changed.	
---	✓ ✓ ✓ ✓		

EN	Self acknowledge	Generator overfrequency self acknowledgement	fixed to NO
DE	Selbstquittierend		
---	[320] [320X] [350] [350X]	The generator overfrequency self-acknowledgement is set to "NO" and cannot be changed. The alarm will not automatically reset after the fault condition has cleared.	
---	✓ ✓ ✓ ✓		

Monitoring: Generator Underfrequency

EN	<i>Monitoring</i>				Generator underfrequency monitoring	fixed to ON
DE	<i>Überwachung</i>					
---	[320]	[320X]	[350]	[350X]	The generator underfrequency monitoring is always enabled and cannot be disabled.	
---	✓	✓	✓	✓		
EN	<i>Limit</i>				Generator underfrequency limit	50.0 to 130.0 %
DE	<i>Limit</i>					
52	[320]	[320X]	[350]	[350X]	Ⓢ This value refers to the Rated system frequency (see page 71).	
3	✓	✓	✓	✓		
					The percentage threshold value that is to be monitored. If this value is reached or fallen below for at least the delay time, the action specified by the configured alarm class is initiated.	
EN	<i>Delay</i>				Generator underfrequency delay	0.1 to 99.9 s
DE	<i>Verzögerung</i>					
53	[320]	[320X]	[350]	[350X]	If the monitored value exceeds the threshold value for the configured delay time, an alarm will be issued. If the monitored value falls below the threshold (minus the hysteresis) before the delay expires, the delay will be reset.	
3	✓	✓	✓	✓		
EN	<i>Alarm class</i>				Generator underfrequency alarm class	fixed to F
DE	<i>Alarmklasse</i>					
---	[320]	[320X]	[350]	[350X]	The generator underfrequency alarm class is set to "F" and cannot be changed.	
---	✓	✓	✓	✓		
EN	<i>Self acknowledge</i>				Generator underfrequency self acknowledgement	fixed to NO
DE	<i>Selbstquittierend</i>					
---	[320]	[320X]	[350]	[350X]	The generator underfrequency self-acknowledgement is set to "NO" and cannot be changed. The alarm will not automatically reset after the fault condition has cleared.	
---	✓	✓	✓	✓		
EN	<i>Delayed by engine speed</i>				Generator underfrequency delayed by engine speed	fixed to YES
DE	<i>Verzögert durch Motordrehz.</i>					
---	[320]	[320X]	[350]	[350X]	The generator underfrequency delay by engine speed is set to "YES" and cannot be changed. Monitoring is delayed by the time configured in Engine monitoring delay time on page 74 after starting the engine.	
---	✓	✓	✓	✓		

Monitoring: Generator Overvoltage

DE	EN	Monitoring	Generator overvoltage monitoring	fixed to ON
---	---	Überwachung	The generator overvoltage monitoring is always enabled and cannot be disabled.	
---	---	[320] [320X] [350] [350X]		
---	---	✓ ✓ ✓ ✓		
DE	EN	Limit	Generator overvoltage limit	50.0 to 125.0 %
54	---	Limit	ⓘ This value refers to the Rated generator voltage (see page 71.)	
3	---	[320] [320X] [350] [350X]		
---	---	✓ ✓ ✓ ✓		
			The percentage threshold value that is to be monitored. If this value is reached or exceeded for at least the delay time, the action specified by the configured alarm class is initiated.	
DE	EN	Delay	Generator overvoltage delay	0.1 to 99.9 s
55	---	Verzögerung	If the monitored value exceeds the threshold value for the configured delay time, an alarm will be issued. If the monitored value falls below the threshold (minus the hysteresis) before the delay expires, the delay will be reset.	
3	---	[320] [320X] [350] [350X]		
---	---	✓ ✓ ✓ ✓		
DE	EN	Alarm class	Generator overvoltage alarm class	fixed to F
---	---	Alarmklasse	The generator overvoltage alarm class is set to "F" and cannot be changed.	
---	---	[320] [320X] [350] [350X]		
---	---	✓ ✓ ✓ ✓		
DE	EN	Self acknowledge	Generator overvoltage self acknowledgement	fixed to NO
---	---	Selbstquittierend	The generator overvoltage self-acknowledgement is set to "NO" and cannot be changed. The alarm will not automatically reset after the fault condition has cleared.	
---	---	[320] [320X] [350] [350X]		
---	---	✓ ✓ ✓ ✓		
DE	EN	Delayed by engine speed	Generator overvoltage delayed by engine speed	fixed to NO
---	---	Verzögert durch Motordrehz.	The generator overvoltage delay by engine speed is set to "NO" and cannot be changed. The monitoring is not delayed by the time configured in Engine monitoring delay time on page 74 after starting the engine.	
---	---	[320] [320X] [350] [350X]		
---	---	✓ ✓ ✓ ✓		

Monitoring: Generator Undervoltage

EN	<i>Monitoring</i>				Generator undervoltage monitoring	fixed to ON
DE	<i>Überwachung</i>					
---	[320]	[320X]	[350]	[350X]	The generator undervoltage monitoring is always enabled and cannot be disabled.	
---	✓	✓	✓	✓		
EN	<i>Limit</i>				Generator undervoltage limit	50.0 to 125.0 %
DE	<i>Limit</i>					
56	[320]	[320X]	[350]	[350X]	Ⓢ This value refers to the Rated generator voltage (see page 71.)	
3	✓	✓	✓	✓		
The percentage threshold value that is to be monitored. If this value is reached or fallen below for at least the delay time, the action specified by the configured alarm class is initiated.						
EN	<i>Delay</i>				Generator undervoltage delay	0.1 to 99.9 s
DE	<i>Verzögerung</i>					
57	[320]	[320X]	[350]	[350X]	If the monitored value exceeds the threshold value for the configured delay time, an alarm will be issued. If the monitored value falls below the threshold (minus the hysteresis) before the delay expires, the delay will be reset.	
3	✓	✓	✓	✓		
EN	<i>Alarm class</i>				Generator undervoltage alarm class	fixed to F
DE	<i>Alarmklasse</i>					
---	[320]	[320X]	[350]	[350X]	The generator undervoltage alarm class is set to "F" and cannot be changed.	
---	✓	✓	✓	✓		
EN	<i>Self acknowledge</i>				Generator undervoltage self acknowledgement	fixed to NO
DE	<i>Selbstquittierend</i>					
---	[320]	[320X]	[350]	[350X]	The generator undervoltage self-acknowledgement is set to "NO" and cannot be changed. The alarm will not automatically reset after the fault condition has cleared.	
---	✓	✓	✓	✓		
EN	<i>Delayed by engine speed</i>				Generator undervoltage delayed by engine speed	fixed to YES
DE	<i>Verzögert durch Motordrehz.</i>					
---	[320]	[320X]	[350]	[350X]	The generator undervoltage delay by engine speed is set to "YES" and cannot be changed. The monitoring is delayed by the time configured in Engine monitoring delay time on page 74 after starting the engine.	
---	✓	✓	✓	✓		

Monitoring: Mains

EN	Monitoring			
DE	Überwachung			
---	[320]	[320X]	[350]	[350X]
L	---	---	✓	✓

Mains phase rotation monitoring ON / OFF

ON Phase rotation monitoring is carried out according to the following parameters
OFF Monitoring is disabled.

EN	Mains phase rotation			
DE	Netzdrehfeld			
---	[320]	[320X]	[350]	[350X]
L	---	---	✓	✓

Mains phase rotation direction CW / CCW

CW The three-phase measured mains voltage is rotating CW (clock-wise; that means the voltage rotates in direction A-B-C-Phase; default setting).
CCW The three-phase measured mains voltage is rotating CCW (counter clock-wise; that means the voltage rotates in direction C-B-A-Phase).

EN	Delay			
DE	Verzögerung			
---	[320]	[320X]	[350]	[350X]
---	---	---	✓	✓

Mains phase rotation monitoring delay fixed to 2 s

If a wrong phase rotation direction is detected for the configured delay time, an alarm will be issued.
 This value is fixed to 2 seconds and cannot be changed.

EN	Alarm class			
DE	Alarmklasse			
---	[320]	[320X]	[350]	[350X]
---	---	---	✓	✓

Mains phase rotation alarm class fixed to B

The mains phase rotation alarm class is set to "B" and cannot be changed.

EN	Self acknowledge			
DE	Selbstquittierend			
87	[320]	[320X]	[350]	[350X]
3	---	---	✓	✓

Mains phase rotation self acknowledgement YES / NO

YES The control will automatically clear the alarm if it is no longer valid.
NO An automatic reset of the alarm does not occur. Reset of the alarm must be performed manually by pressing the appropriate buttons.

EN	Delayed by engine speed			
DE	Verzögert durch Motordrehz.			
---	[320]	[320X]	[350]	[350X]
---	---	---	✓	✓

Mains phase rotation delayed by engine speed fixed to NO

The mains phase rotation delay by engine speed is set to "NO" and cannot be changed. The monitoring is not delayed by the time configured in Engine monitoring delay time on page 74 after starting the engine.

Monitoring: Mains Failure Limits

EN	High voltage threshold			
DE	Obere Grenzspannung			
81	[320]	[320X]	[350]	[350X]
3	---	---	✓	✓

Emergency power: high voltage threshold 50.0 to 130.0 %

ⓘ This value refers to the Rated mains voltage (see page 71).

This value is referred to for mains failure recognition and mains estimation. If the monitored value exceeds the adjusted limit, this is recognized as a mains failure and an emergency power operation is initiated.

EN	Low voltage threshold			
DE	Untere Grenzspannung			
82	[320]	[320X]	[350]	[350X]
3	---	---	✓	✓

Emergency power: low voltage threshold **50.0 to 130.0 %**

① This value refers to the Rated mains voltage (see page 71).

This value is referred to for mains failure recognition and mains estimation. If the monitored value exceeds the adjusted limit, this is recognized as a mains failure and an emergency power operation is initiated.

EN	Voltage hysteresis			
DE	Spannungshysterese			
83	[320]	[320X]	[350]	[350X]
3	---	---	✓	✓

Emergency power: voltage hysteresis **0.0 to 50.0 %**

① This value refers to the Rated mains voltage (see page 71).

This value is referred to for mains failure recognition and mains estimation. If the monitored value exceeds the adjusted limit, this is recognized as a mains failure and an emergency power operation is initiated. If the monitored value has passed a configured limit and returns but remains close to the limit, the hysteresis must be exceeded (on negative deviation monitoring) or fallen below (on exceeding monitoring) for the mains failure to be assessed as over. This must occur uninterrupted for the mains settling time (see parameter on page 75). If the monitored value returns to configured limits, the delay timer is reset to 0. See Figure 10-1.

EN	High frequency threshold			
DE	Obere Grenzfrequenz			
84	[320]	[320X]	[350]	[350X]
3	---	---	✓	✓

Emergency power: high frequency threshold **70.0 to 160.0 %**

① This value refers to the Rated system frequency (see page 71).

This value is referred to for mains failure recognition and mains estimation. If the monitored value exceeds the adjusted limit, this is recognized as a mains failure and an emergency power operation is initiated.

EN	Low frequency threshold			
DE	Untere Grenzfrequenz			
85	[320]	[320X]	[350]	[350X]
3	---	---	✓	✓

Emergency power: low frequency threshold **70.0 to 160.0 %**

① This value refers to the Rated system frequency (see page 71).

This value is referred to for mains failure recognition and mains estimation. If the monitored value exceeds the adjusted limit, this is recognized as a mains failure and an emergency power operation is initiated.

DE	EN	Frequency hysteresis		
		Frequenzhysterese		
86	[320]	[320X]	[350]	[350X]
3	---	---	✓	✓

Emergency power: frequency hysteresis

0.0 to 50.0 %

ⓘ This value refers to the Rated system frequency (see page 71).

This value is referred to for mains failure recognition and mains estimation. If the monitored value exceeds the adjusted limit, this is recognized as a mains failure and an emergency power operation is initiated. If the monitored value has passed a configured limit and returns but remains close to the limit, the hysteresis must be exceeded (on negative deviation monitoring) or fallen below (on exceeding monitoring) for the mains failure to be assessed as over. This must occur uninterrupted for the mains settling time (see parameter on page 75). If the monitored value returns to configured limits, the delay timer is reset to 0. See Figure 10-1.

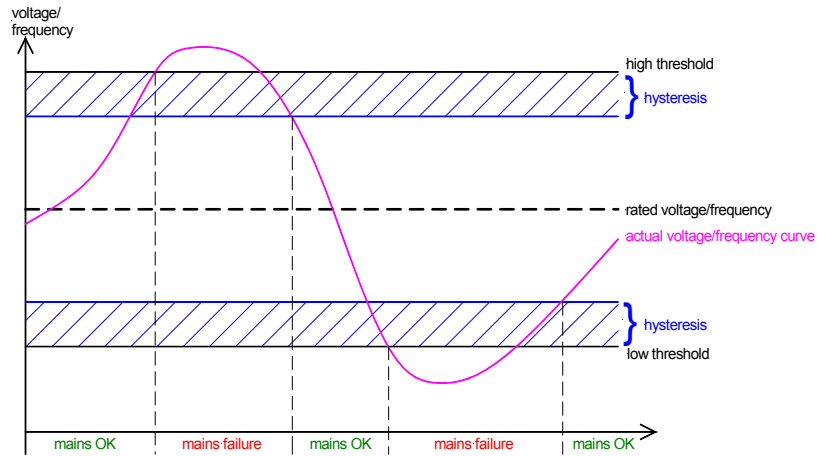


Figure 10-1: Voltage/frequency hysteresis

Monitoring: Engine Overspeed

EN	<i>Monitoring</i>				Engine overspeed monitoring	ON / OFF
DE	<i>Überwachung</i>					
58	[320]	[320X]	[350]	[350X]	ON.....	Overspeed monitoring of the engine speed is carried out according to the following parameters.
3	---	✓	---	✓	OFF.....	No monitoring is carried out.
EN	<i>Limit</i>				Engine overspeed limit	0 to 9,999 RPM
DE	<i>Limit</i>					
59	[320]	[320X]	[350]	[350X]	The threshold value is set by this parameter. If this value is reached or exceeded for at least the delay time, the action specified by the configured alarm class is initiated.	
3	---	✓	---	✓		
EN	<i>Delay</i>				Engine overspeed delay	fixed to 0.1 s
DE	<i>Verzögerung</i>					
---	[320]	[320X]	[350]	[350X]	If the monitored value exceeds the threshold value for the configured delay time, an alarm will be issued. If the monitored value falls below the threshold (minus the hysteresis) before the delay expires, the delay will be reset.	
---	---	✓	---	✓	This value is fixed to 0.1 seconds and cannot be changed.	
EN	<i>Alarm class</i>				Engine overspeed alarm class	fixed to F
DE	<i>Alarmlasse</i>					
---	[320]	[320X]	[350]	[350X]	The engine overspeed alarm class is set to "F" and cannot be changed.	
---	---	✓	---	✓		
EN	<i>Self acknowledge</i>				Engine overspeed self acknowledgement	fixed to NO
DE	<i>Selbstquittierend</i>					
---	[320]	[320X]	[350]	[350X]	The engine overspeed self-acknowledgement is set to "NO" and cannot be changed. The alarm will not automatically reset after the fault condition has cleared.	
---	---	✓	---	✓		
EN	<i>Delayed by engine speed</i>				Engine overspeed delayed by engine speed	fixed to NO
DE	<i>Verzögert durch Motordrehz.</i>					
---	[320]	[320X]	[350]	[350X]	The engine overspeed delay by engine speed is set to "NO" and cannot be changed. The monitoring is not delayed by the time configured in Engine monitoring delay time on page 74 after starting the engine.	
---	---	✓	---	✓		

Monitoring: Engine Underspeed

DE	EN	<i>Monitoring</i>	Engine underspeed monitoring	fixed to ON
---	---	Überwachung	The engine underspeed monitoring is always enabled and cannot be disabled.	
---	---	[320] [320X] [350] [350X]		
---	---	✓		✓
DE	EN	<i>Limit</i>	Engine underspeed limit	fixed to 1,000 RPM
---	---	Limit	The threshold value is fixed in this parameter. If this value is reached or fallen below for at least the delay time, the action specified by the configured alarm class is initiated.	
---	---	[320] [320X] [350] [350X]		
---	---	✓		✓
DE	EN	<i>Delay</i>	Engine underspeed delay	fixed to 1.0 s
---	---	Verzögerung	If the monitored value falls below the threshold value for the configured delay time, an alarm will be issued	
---	---	[320] [320X] [350] [350X]	This value is fixed to 1.0 seconds and cannot be changed.	
---	---	✓		✓
DE	EN	<i>Alarm class</i>	Engine underspeed alarm class	fixed to F
---	---	Alarmklasse	The engine underspeed alarm class is set to "F" and cannot be changed.	
---	---	[320] [320X] [350] [350X]		
---	---	✓		✓
DE	EN	<i>Self acknowledge</i>	Engine underspeed self acknowledgement	fixed to NO
---	---	Selbstquittierend	The engine underspeed self-acknowledgement is set to "NO" and cannot be changed. The alarm will not automatically reset after the fault condition has cleared.	
---	---	[320] [320X] [350] [350X]		
---	---	✓		✓
DE	EN	<i>Delayed by engine speed</i>	Engine underspeed delayed by engine speed	fixed to YES
---	---	Verzögert durch Motordrehz.	The engine underspeed delay by engine speed is set to "YES" and cannot be changed. The monitoring is delayed by the time configured in Engine monitoring delay time on page 74 after starting the engine.	
---	---	[320] [320X] [350] [350X]		
---	---	✓		✓

Monitoring: Engine Start Fail

EN	<i>Monitoring</i>				Engine start fail monitoring	fixed to ON
DE	<i>Überwachung</i>					
--	[320]	[320X]	[350]	[350X]	The engine start fail monitoring is always enabled and cannot be disabled.	
--	✓	✓	✓	✓		
EN	<i>Number of start attempts</i>				Engine number of start attempts	fixed to 3
DE	<i>Anzahl Startversuche</i>					
--	[320]	[320X]	[350]	[350X]	The control will attempt to start the engine with the configured number of start attempts. If the engine fails to start after the configured number of attempts an alarm will be initiated. An engine has been successfully started if the ignition speed has been achieved within the start delay time.	
--	✓	✓	✓	✓		
EN	<i>Alarm class</i>				Engine start fail alarm class	fixed to F
DE	<i>Alarmklasse</i>					
--	[320]	[320X]	[350]	[350X]	The engine start fail alarm class is set to "F" and cannot be changed.	
--	✓	✓	✓	✓		
EN	<i>Self acknowledge</i>				Engine start fail self acknowledgement	fixed to NO
DE	<i>Selbstquittierend</i>					
--	[320]	[320X]	[350]	[350X]	The engine start fail undervoltage self-acknowledgement is set to "NO" and cannot be changed. The alarm will not automatically reset after the fault condition has cleared.	
--	✓	✓	✓	✓		

Monitoring: Engine Unintended Stop

EN	<i>Monitoring</i>				Engine unintended stop monitoring	fixed to ON
DE	<i>Überwachung</i>					
--	[320]	[320X]	[350]	[350X]	The engine unintended stop monitoring is always enabled and cannot be disabled.	
--	✓	✓	✓	✓		
EN	<i>Alarm class</i>				Engine unintended stop alarm class	fixed to F
DE	<i>Alarmklasse</i>					
--	[320]	[320X]	[350]	[350X]	The engine unintended stop alarm class is set to "F" and cannot be changed.	
--	✓	✓	✓	✓		

Monitoring: Battery Undervoltage

DE	EN	<i>Monitoring</i>	Battery undervoltage monitoring	fixed to ON
---	---	Überwachung	The battery undervoltage monitoring is always enabled and cannot be disabled.	
---	---	[320] [320X] [350] [350X]		
---	---	✓ ✓ ✓ ✓		
DE	EN	<i>Limit</i>	Battery undervoltage limit	8.0 to 42.0 V
---	---	Limit	The threshold value is set by this parameter. If this value is reached or fallen below for at least the delay time, the action specified by the configured alarm class is initiated.	
60	---	[320] [320X] [350] [350X]		
3	---	✓ ✓ ✓ ✓		
DE	EN	<i>Delay</i>	Battery undervoltage delay	fixed to 10.0 s
---	---	Verzögerung	If the monitored value falls below the threshold value for the delay time, an alarm will be issued.	
---	---	[320] [320X] [350] [350X]	This value is fixed to 10.0 seconds and cannot be changed.	
---	---	✓ ✓ ✓ ✓		
DE	EN	<i>Alarm class</i>	Battery undervoltage alarm class	fixed to B
---	---	Alarmklasse	The battery undervoltage alarm class is set to "B" and cannot be changed.	
---	---	[320] [320X] [350] [350X]		
---	---	✓ ✓ ✓ ✓		
DE	EN	<i>Self acknowledge</i>	Battery undervoltage self acknowledgement	fixed to NO
---	---	Selbstquittierend	The battery undervoltage self-acknowledgement is set to "NO" and cannot be changed. The alarm will not automatically reset after the fault condition has cleared.	
---	---	[320] [320X] [350] [350X]		
---	---	✓ ✓ ✓ ✓		
DE	EN	<i>Delayed by engine speed</i>	Battery undervoltage delayed by engine speed	fixed to NO
---	---	Verzögert durch Motordrehz.	The battery undervoltage delay by engine speed is set to "NO" and cannot be changed. The monitoring is not delayed by the time configured in Engine monitoring delay time on page 74 after starting the engine.	
---	---	[320] [320X] [350] [350X]		
---	---	✓ ✓ ✓ ✓		

Monitoring: Battery Charge Voltage

EN	<i>Monitoring</i>				Battery charge voltage monitoring	ON / OFF
DE	<i>Überwachung</i>					
61	[320]	[320X]	[350]	[350X]	ON.....	Battery charge voltage monitoring is carried out according to the following parameters.
3	✓	✓	✓	✓	OFF	No monitoring is carried out.
EN	<i>Limit</i>				Battery charge voltage limit	00.0 to 32.0 V
DE	<i>Limit</i>					
62	[320]	[320X]	[350]	[350X]	The threshold value is set by this parameter. If this value is reached or fallen below for at least the delay time, the action specified by the configured alarm class is initiated.	
3	✓	✓	✓	✓		
EN	<i>Delay</i>				Battery charge voltage delay	fixed to 60.0 s
DE	<i>Verzögerung</i>					
---	[320]	[320X]	[350]	[350X]	If the monitored value falls below the threshold value for the delay time, an alarm will be issued.	
---	✓	✓	✓	✓	This value is fixed to 60.0 seconds and cannot be changed.	
EN	<i>Alarm class</i>				Battery charge voltage alarm class	fixed to B
DE	<i>Alarmklasse</i>					
---	[320]	[320X]	[350]	[350X]	The battery undervoltage alarm class is set to "B" and cannot be changed.	
---	✓	✓	✓	✓		
EN	<i>Self acknowledge</i>				Battery charge voltage self acknowledgement	fixed to NO
DE	<i>Selbstquittierend</i>					
---	[320]	[320X]	[350]	[350X]	The battery undervoltage self-acknowledgement is set to "NO" and cannot be changed. The alarm will not automatically reset after the fault condition has cleared.	
---	✓	✓	✓	✓		
EN	<i>Delayed by engine speed</i>				Battery charge voltage delayed by engine speed	fixed to YES
DE	<i>Verzögert durch Motordrehz.</i>					
---	[320]	[320X]	[350]	[350X]	The battery undervoltage delay by engine speed is set to "YES" and cannot be changed. The monitoring is delayed by the time configured in Engine monitoring delay time on page 74 after starting the engine.	
---	✓	✓	✓	✓		

Monitoring: Interface

EN	Monitoring			
DE	Überwachung			
93	[320]	[320X]	[350]	[350X]
3	---	✓	---	✓

J1939 interface monitoring ON / OFF

ON J1939 interface monitoring is carried out according to the following parameters.
OFF No monitoring is carried out.

EN	Delay			
DE	Verzögerung			
---	[320]	[320X]	[350]	[350X]
L	---	✓	---	✓

J1939 interface monitoring delay 0.1 to 650.0 s

If a J1939 alarm is present for at least the delay time, an alarm will be issued.

EN	Alarm class			
DE	Alarmklasse			
---	[320]	[320X]	[350]	[350X]
L	---	✓	---	✓

J1939 interface monitoring alarm class B / F

An alarm class can be assigned to the J1939 monitoring. If fault condition is detected, the action specified by the alarm class is initiated. It may be possible to configure all classes of alarms in this parameter but only alarm classes B and F are implemented in the easYgen-300 series. Ensure that only class B or F is configured here.

EN	Self acknowledge			
DE	Selbstquittierend			
---	[320]	[320X]	[350]	[350X]
L	---	✓	---	✓

J1939 interface monitoring self acknowledgement YES / NO

YES The control will automatically clear the alarm if it is no longer valid.
NO An automatic reset of the alarm does not occur. Reset of the alarm must be performed manually by pressing the appropriate buttons.

EN	Delayed by engine speed			
DE	Verzögert durch Motordrehz.			
---	[320]	[320X]	[350]	[350X]
L	---	✓	---	✓

J1939 interface monitoring delayed by engine speed YES / NO

YES The J1939 monitoring is delayed by the engine. Therefore the conditions of the parameter "Engine monitoring delay time" on page 74 must be fulfilled.
NO The J1939 monitoring is not delayed by the engine.

Monitoring: Interface: J1939 Amber Warning Lamp DM1



NOTE

This monitoring function is only available if parameter 90 "Device type" is configured "1" or "Standard" (refer to page 95.)

EN	Monitoring				J1939 interface: amber warning alarm monitoring	ON / OFF
DE	Überwachung					
94	[320]	[320X]	[350]	[350X]	ONJ1939 amber warning alarm monitoring is carried out according to the following parameters.	
3	---	✓	---	✓	OFFNo monitoring is carried out.	
EN	Delay				J1939 interface: amber warning alarm monitoring delay	0.1 to 999.0 s
DE	Verzögerung					
---	[320]	[320X]	[350]	[350X]	If a J1939 amber warning alarm is present for at least the delay time, an alarm will be issued.	
L	---	✓	---	✓		
EN	Alarm class				J1939 interface: amber warning alarm monitoring alarm class	B / F
DE	Alarmklasse					
---	[320]	[320X]	[350]	[350X]	An alarm class can be assigned to the J1939 amber warning alarm monitoring. If fault condition is detected, the action specified by the alarm class is initiated. It may be possible to configure all classes of alarms in this parameter but only alarm classes B and F are implemented in the easYgen-300 series. Ensure that only class B or F is configured here.	
L	---	✓	---	✓		
EN	Self acknowledge				J1939 interface: amber warning alarm monitoring self acknowledgement	YES / NO
DE	Selbstquittierend					
---	[320]	[320X]	[350]	[350X]	YES The control will automatically clear the alarm if it is no longer valid.	
L	---	✓	---	✓	NOAn automatic reset of the alarm does not occur. Reset of the alarm must be performed manually by pressing the appropriate buttons.	
EN	Delayed by engine speed				J1939 interface: amber warning alarm monitoring delayed by engine speed	YES / NO
DE	Verzögert durch Motordrehz.					
---	[320]	[320X]	[350]	[350X]	YES The J1939 amber warning alarm monitoring is delayed by the engine. Therefore the conditions of the parameter "Engine monitoring delay time" on page 74 must be fulfilled.	
L	---	✓	---	✓	NOThe J1939 amber warning alarm monitoring is not delayed by the engine.	

Monitoring: Interface: J1939 Red Stop Lamp DM1



NOTE

This monitoring function is only available if parameter 90 "Device type" is configured "1" or "Standard" (refer to page 95.)

EN	<i>Monitoring</i>				J1939 interface: red stop alarm monitoring	ON / OFF
DE	<i>Überwachung</i>					
95	[320]	[320X]	[350]	[350X]	ON	J1939 red stop alarm monitoring is carried out according to the following parameters.
3	---	✓	---	✓	OFF	No monitoring is carried out.
EN	<i>Delay</i>				J1939 interface: red stop alarm monitoring delay	0.1 to 999.0 s
DE	<i>Verzögerung</i>					
---	[320]	[320X]	[350]	[350X]	If a J1939 red stop alarm is present for at least the delay time, an alarm will be issued.	
L	---	✓	---	✓		
EN	<i>Alarm class</i>				J1939 interface: red stop alarm monitoring alarm class	B / F
DE	<i>Alarmklasse</i>					
---	[320]	[320X]	[350]	[350X]	An alarm class can be assigned to the J1939 red stop alarm monitoring. If fault condition is detected, the action specified by the alarm class is initiated. It may be possible to configure all classes of alarms in this parameter but only alarm classes B and F are implemented in the easYgen-300 series. Ensure that only class B or F is configured here.	
L	---	✓	---	✓		
EN	<i>Self acknowledge</i>				J1939 interface: red stop alarm monitoring self acknowledgement	YES / NO
DE	<i>Selbstquittierend</i>					
---	[320]	[320X]	[350]	[350X]	YES	The control will automatically clear the alarm if it is no longer valid.
L	---	✓	---	✓	NO	An automatic reset of the alarm does not occur. Reset of the alarm must be performed manually by pressing the appropriate buttons.
EN	<i>Delayed by engine speed</i>				J1939 interface: red stop alarm monitoring delayed by engine speed	YES / NO
DE	<i>Verzögert durch Motordrehz.</i>					
---	[320]	[320X]	[350]	[350X]	YES	The J1939 red stop alarm monitoring is delayed by the engine. Therefore the conditions of the parameter "Engine monitoring delay time" on page 74 must be fulfilled.
L	---	✓	---	✓	NO	The J1939 red stop alarm monitoring is not delayed by the engine.

Discrete Inputs



The easYgen-300 series has 5 discrete inputs (DI1 to DI5). The discrete inputs 1 & 2 are pre-defined as alarm inputs for oil pressure (DI1) and coolant temperature (DI2). The discrete input 3 is a control input for remote start. The functions of the discrete inputs 4 and 5 are dependent on the parameter Ignore CB reply (see page 72). If this parameter is set to NO, these discrete inputs are configured as reply inputs for MCB (DI4) and GCB (DI5). Any changes made to the settings of the discrete inputs DI4 and DI5 have no effect. If this parameter is set to YES, these inputs can be configured freely with the following parameters using LeoPC1.

EN	DI {x} operation				Discrete Input DI {x} operation	N.O. / N.C.
DE	DI {x} Funktion					
---	[320]	[320X]	[350]	[350X]	The discrete input can be operated by a Normally Open contact or a Normally Closed contact. The Normally Closed contact input can be use to monitor for a broken wire. A positive or negative voltage potential can be applied. N.O.The discrete input is analyzed as "present" by energizing a voltage potential (N.O. / operating current). N.C.The discrete input is analyzed as "present" by de-energizing a voltage potential (N.C. / idle current).	
L	✓	✓	✓	✓		
EN	DI {x} delay				Discrete Input DI {x} delay	0.02 to 650.00 s
DE	DI {x} Verzögerung					
---	[320]	[320X]	[350]	[350X]	A delay time in seconds may be assigned to each alarm input. The fault condition must be continuously present for the delay time at the input before tripping occurs.	
L	✓	✓	✓	✓		
EN	DI {x} alarm class				Discrete Input DI {x} alarm class	A / B / C / D / E / F / Control
DE	DI {x} Alarmklasset					
---	[320]	[320X]	[350]	[350X]	Ⓞ see chapter Alarm Classes on page 104.	
L	✓	✓	✓	✓		
					An alarm class can be assigned to a discrete input. The alarm class is initiated when the discrete input receives a triggering signal. Only alarm classes B and F are implemented in the easYgen. If "control" has been configured as the alarm class, the discrete input can be evaluated by the relay outputs if configured accordingly (see Relay Outputs on page 92 for more information).	
EN	DI {x} delayed by eng. speed				Discrete Input DI {x} delayed by engine speed	YES / NO
DE	DI {x} verzög. d. Motordrehz.					
---	[320]	[320X]	[350]	[350X]	YESThe input monitoring is delayed by the engine. Therefore the conditions of the parameter Engine monitoring delay time on page 74 must be fulfilled. NOThe input monitoring is not delayed by the engine. The input is analyzed immediately.	
L	✓	✓	✓	✓		
EN	DI {x} self acknowledge				Discrete Input DI {x} self acknowledge	YES / NO
DE	DI {x} Selbstquittierend					
---	[320]	[320X]	[350]	[350X]	YESThe control will automatically clear the alarm if the fault is no longer present. NOAn automatic reset of the alarm does not occur. Reset of the alarm must be performed manually by pressing the appropriate buttons, by enabling the appropriate discrete input, or via an interface.	
L	✓	✓	✓	✓		

Relay Outputs



The easYgen-300 series has 6 (or 4 for [320] & [320X]) relay outputs. The relay outputs 3 and 4 can be freely configured with one signal output from the list of configurable parameters in Table 10-1 (only [350] & [350X]). If this signal is triggered, the relay will be operated.

EN	Relay 1	Relay output 1 [350] & [350X]	fixed to open MCB
DE	Relais 1		
---	[320] [320X] [350] [350X]		The relay output is preset to the command open MCB and cannot be changed.
---	--- --- ✓ ✓		

EN	Relay 2	Relay output 2	fixed to close GCB
DE	Relais 2		
---	[320] [320X] [350] [350X]		The relay output is preset to the command open GCB and cannot be changed.
---	✓ ✓ ✓ ✓		

EN	Relay 3	Relay output 3 [350] & [350X]	one from configurable parameter list
DE	Relais 3		
---	[320] [320X] [350] [350X]		The relay output can be configured to one signal out of the configurable parameter list. The available signals are listed below.
L	--- --- ✓ ✓		

EN	Relay 4	Relay output 4	one from configurable parameter list
DE	Relais 4		
---	[320] [320X] [350] [350X]		The relay output can be configured to one signal out of the configurable parameter list. The available signals are listed below.
L	✓ ✓ ✓ ✓		

EN	Relay 5	Relay output 5	fixed to fuel relay
DE	Relais 5		
---	[320] [320X] [350] [350X]		The relay output is preset to the fuel relay and cannot be changed.
---	✓ ✓ ✓ ✓		

EN	Relay 6	Relay output 6	fixed to starter
DE	Relais 6		
---	[320] [320X] [350] [350X]		The relay output is preset to the starter and cannot be changed.
---	✓ ✓ ✓ ✓		

The following output signals may be selected from the list of configurable parameters for the relay outputs 3 and 4. If a signal is selected for an easYgen version without this feature, the relay will not be triggered.

Configurable Parameter	Description The assigned relay will energize if ...	Applies to			
		[320]	[320X]	[350]	[350X]
Generator overfrequency 1	... the generator frequency is exceeded (refer to Monitoring: Generator Overfrequency on page 76 for details)	✓	✓	✓	✓
Generator underfrequency 1	... the generator frequency is fallen below (refer to Monitoring: Generator Underfrequency on page 77 for details)	✓	✓	✓	✓
Generator overvoltage 1	... the generator voltage is exceeded (refer to Monitoring: Generator Overvoltage on page 78 for details)	✓	✓	✓	✓
Generator undervoltage 1	... the generator voltage is fallen below (refer to Monitoring: Generator Undervoltage on page 79 for details)	✓	✓	✓	✓
Mains phase rotation mismatch	... the mains phase rotation is wrong (refer to Monitoring: Mains on page 80 for details)	---	---	✓	✓
Overspeed 1	... the engine speed is exceeded (refer to Monitoring: Engine Overspeed on page 83 for details)	---	✓	---	✓
Underspeed 1	... the engine speed is fallen below (refer to Monitoring: Engine Underspeed on page 84 for details)	---	✓	---	✓
Start fail	... the engine failed to start within 3 attempts (refer to Monitoring: Engine Start Fail on page 85 for details)	✓	✓	✓	✓
Unintended stop	... the engine has stopped unintentionally (refer to Monitoring: Engine Unintended Stop on page 85 for details)	✓	✓	✓	✓
Maintenance hours exceeded	... the maintenance hours are exceeded (refer to Counter on page 94 for details)	✓	✓	✓	✓
Battery undervoltage 1	... the battery voltage is fallen below (refer to Monitoring: Battery Undervoltage on page 86 for details)	✓	✓	✓	✓
Charge alternator low voltage	... the battery charge voltage is fallen below (refer to Monitoring: Battery Charge Voltage on page 87 for details)	✓	✓	✓	✓
Discrete Input DI 1	... discrete input DI 1 is energized	✓	✓	✓	✓
Discrete Input DI 2	... discrete input DI 2 is energized	✓	✓	✓	✓
Discrete Input DI 3	... discrete input DI 3 is energized	✓	✓	✓	✓
Discrete Input DI 4	... discrete input DI 4 is energized	✓	✓	✓	✓
Discrete Input DI 5	... discrete input DI 5 is energized	✓	✓	✓	✓
Preglow	... the preglow time is active (refer to Engine: Diesel on page 73 for details)	✓	✓	✓	✓
Automatic operation mode	... the unit is in Automatic operation mode	✓	✓	✓	✓
All alarm classes	... an alarm of any class is issued	✓	✓	✓	✓
Stopping alarm	... an alarm of a class higher than B is issued	✓	✓	✓	✓
Engine released	... as soon as an engine start is initiated	✓	✓	✓	✓
Horn	... an alarm of class B or higher is issued	✓	✓	✓	✓
Delayed close GCB	... a GCB close command has been issued and the configured 2nd GCB close delay time has expired (refer to Application on page 72 for details)	✓	✓	✓	✓
Delayed close MCB	... an MCB close command has been issued and the configured 2nd MCB close delay time has expired (refer to Application on page 72 for details)	---	---	✓	✓
Amber warning lamp	... the ECU has issued an amber warning alarm (refer to Monitoring: Interface: J1939 Amber Warning Lamp DM1 on page 89 for details)	---	✓	---	✓
Red stop lamp	... the ECU has issued an red stop alarm (refer to Monitoring: Interface: J1939 Red Stop Lamp DM1 on page 90 for details)	---	✓	---	✓
Mains failure	... the mains values are not within the mains failure limits (refer to Monitoring: Mains Failure Limits on page 80 for details)	---	---	✓	✓

Table 10-1: Relay outputs - list of configurable parameters

Counter



EN	Maintenance hours	Maintenance hours	0 to 9,999 h
DE	Wartungsintervall Stunden		
70	[320] [320X] [350] [350X]	<p>ⓘ To disable the maintenance counter "hours" configure "0".</p> <p>This parameter defines the remaining hours until the next maintenance call occurs. Once the configured total time (calculated from days and hours) has been exceeded, a message is displayed.</p> <p>If the parameter "Reset maintenance call" is configured to "YES" (see below) the maintenance counter is reset to the configured value.</p>	
1	✓ ✓ ✓ ✓		
EN	Reset maintenance period h	Reset maintenance period hours	YES / NO
DE	Wartungsstunden rücksetzen		
71	[320] [320X] [350] [350X]	<p>If this parameter is configured to "YES" the maintenance counter 'Hours' is set/reset to the configured value. Once the counter has been set/reset, this parameter automatically changes back to "NO".</p>	
1	✓ ✓ ✓ ✓		
EN	Counter value preset	Counter value preset	0 to 99,999.9
DE	Zähler-Setzwert		
---	[320] [320X] [350] [350X]	<p>The operation hour counter is set to this value (the current value is overwritten). This counter may be used to count the operation hours.</p>	
L	✓ ✓ ✓ ✓		
EN	Set operation hours	Set operation hours	YES / NO
DE	Betriebsstunden setzen		
---	[320] [320X] [350] [350X]	<p>If this parameter is configured to "YES" the operation hour counter is set/reset to the configured value. Once the counter has been set/reset, this parameter automatically changes back to "NO".</p>	
L	✓ ✓ ✓ ✓		
EN	Number of starts	Number of starts	0 to 65,535
DE	Anzahl Starts		
---	[320] [320X] [350] [350X]	<p>The start counter is set to this value (the current value is overwritten). This counter may be used to count the number of starts.</p>	
L	✓ ✓ ✓ ✓		

Interfaces



CAN Interface

EN	Baudrate				CAN baudrate	20/50/100/125/250/500/800/1000 kBd
DE	Baudrate					
---	[320]	[320X]	[350]	[350X]	The CAN bus baudrate is configured here.	
L	---	✓	---	✓		



NOTE

The baud rate is the same for all devices connected to the CAN bus regardless of the selected protocol.

J1939

EN	Device type				J1939 device type	Off/Standard/S6 Scania/EMR
DE	Betriebsmodus					
90	[320]	[320X]	[350]	[350X]	Off	The J1939 visualization is disabled. No values are displayed.
3	---	✓	---	✓	Standard	The standard J1939 messages are displayed on the unit and in LeoPC1.
					S6 Scania	The standard J1939 messages are displayed on the unit and in LeoPC1, and the Scania S6 messages are displayed in LeoPC1 in addition. The Scania S6 messages do not appear on the unit.
					EMR	The standard J1939 messages are displayed on the unit and in LeoPC1, and the Deutz EMR2 messages are displayed in LeoPC1 in addition. The Deutz EMR2 messages do not appear on the unit.

EN	Request send address				J1939 request send address	0 to 255
DE	Request Sendeadresse					
91	[320]	[320X]	[350]	[350X]	The J1939 protocol device number: This is necessary for requesting particular parameter groups.	
3	---	✓	---	✓	The acknowledgement command for passive alarms will also be sent with this participant address (Diagnostic Data Clear/Reset of Previously Active DTCs - DM3).	

EN	Receive device number				J1939 receive device number	0 to 255
DE	Empf. Geräte Nummer					
92	[320]	[320X]	[350]	[350X]	Indicates the number of the J1939 device, whose data shall be visualized.	
3	---	✓	---	✓		

You find detailed information about the J1939 protocol under J1939 Protocol Descriptions starting on page 106.

System



Codes

EN	Comissioning level code	Set commissioning level code	0000 to 9999
DE	Code Inbetriebnahme Ebene		
---	[320] [320X] [350] [350X]	The user may configure the HMI password (Parameter 00) here. The HMI password protects the configuration of the unit via the front panel. The new password is valid immediately after changing and confirming it within LeoPC1.	
L	✓ ✓ ✓ ✓	This parameter is only available from Software Version 2.0007 (refer to Update Information on page 9 for more info).	



NOTE

The commissioning level coder (HMI password) will not be reset when restoring the default values.

Factory Settings

EN	Factory settings	Enable to reset to factory settings	ON / OFF
DE	Werkseinstellung		
---	[320] [320X] [350] [350X]	OFF The parameters "Clear event log" and "Set default values" are disabled.	
L	✓ ✓ ✓ ✓	ON The parameters "Clear event log" and "Set default values" are enabled. The event log may be cleared and the default values may be restored.	

EN	Clear event log	Clear event log	ON / OFF
DE	Ereignisspeicher löschen		
---	[320] [320X] [350] [350X]	OFF The event log will not be cleared.	
L	✓ ✓ ✓ ✓	ON All entries in the event logger will be cleared and this parameter will be reset to "OFF" automatically. The parameter "Factory settings" must be configured "ON" to clear the event log.	

EN	Set default values	Restore default values	ON / OFF
DE	Standardwerte		
---	[320] [320X] [350] [350X]	OFF The default values will not be restored.	
L	✓ ✓ ✓ ✓	ON All parameters will be reset to their default values and this parameter will be reset to "OFF" automatically. The parameter "Factory settings" must be configured "ON" to restore the default values.	

Parameter Access Level

EN	Display level	Display level	1 to 3
DE	Anzeigeebene		
72	[320] [320X] [350] [350X]	The user may alter the number of configurable parameters that are displayed on the control unit front panel when the unit is in configuration mode. By selecting the highest level of access (level 3), all parameters will be displayed. The lower the access level selected, the fewer parameters are displayed.	
1	✓ ✓ ✓ ✓		

Flags

The easYgen-300 series provides four configurable LED flags in the alphanumeric display to indicate alarms. One or more alarm messages can be assigned to each one of these flags (i.e. the respective flag will be illuminated if the configured alarm state(s) occur(s) in addition to the regular alarm indication). A detailed description of these flags can be found in the chapter Alarm Messages on page 41 and a configuration example can be found under Configuring the Flags on page 68.

EN	Flag {x} {alarm y}				Flag {x} {alarm y}	YES / NO
DE	Flag {x} {Alarm y}				Flag {x} {Alarm y}	
--	[320]	[320X]	[350]	[350X]	YES	If the alarm {y} is present, the display flag {x} will be illuminated.
L	✓	✓	✓	✓	NO	The display flag {x} ignores the alarm {y}.

YESIf the alarm {y} is present, the display flag {x} will be illuminated.

NOThe display flag {x} ignores the alarm {y}.

{x}Display flags 1 to 4

{y}The following alarms may be indicated with the flags:

gen. overfrequency, gen. underfrequency, gen. overvoltage, gen. undervoltage, mains phase rotation mismatch, overspeed, underspeed, unintended stop, start fail, maintenance hours expired, CAN failure J1939, undervoltage auxiliary alternator, undervoltage battery, discrete input 1, discrete input 2, discrete input 3, discrete input 4, and/or discrete input 5, amber warning lamp, red stop lamp

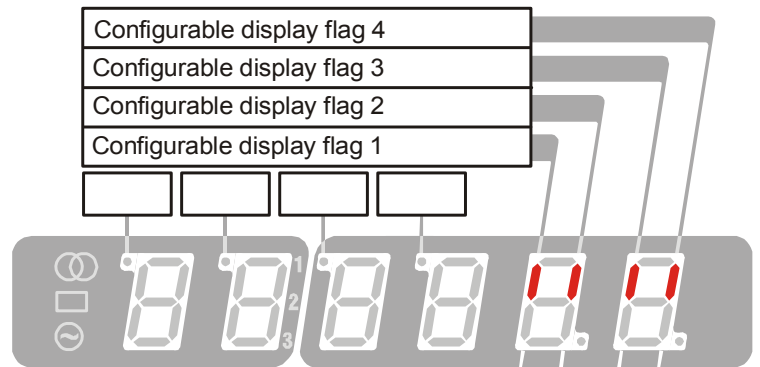


Figure 10-2: Configurable display flags

Versions



NOTE

The following parameters are not configurable. They may be viewed using LeoPC1 for information purposes only.

EN	Serial number	Serial number (S/N)	display only
DE	Seriennummer		
---	[320] [320X] [350] [350X]	This is the serial number of the easYgen and identifies the control clearly.	
L	✓ ✓ ✓ ✓		
EN	Boot item number	Boot item number (P/N)	display only
DE	Boot Artikelnummer		
---	[320] [320X] [350] [350X]	This is the item number of the firmware, which is stored on the easYgen.	
L	✓ ✓ ✓ ✓		
EN	Boot revision	Boot revision (REV)	display only
DE	Boot Revision		
---	[320] [320X] [350] [350X]	This is the revision of the firmware, which is stored on the easYgen.	
L	✓ ✓ ✓ ✓		
EN	Boot version	Boot version	display only
DE	Boot Version		
---	[320] [320X] [350] [350X]	This is the version (Vx.xxxx) of the firmware, which is stored on the easYgen.	
L	✓ ✓ ✓ ✓		
EN	Program item number	Program item number	display only
DE	Programm Artikelnummer		
---	[320] [320X] [350] [350X]	This is the item number of the application software of the easYgen.	
L	✓ ✓ ✓ ✓		
EN	Program revision	Program revision	display only
DE	Programm Revision		
---	[320] [320X] [350] [350X]	This is the revision of the application software of the easYgen.	
L	✓ ✓ ✓ ✓		
EN	Program version	Program version	display only
DE	Programm Version		
---	[320] [320X] [350] [350X]	This is the version (Vx.xxxx) of the application software of the easYgen.	
L	✓ ✓ ✓ ✓		

Chapter 11.

Event Logger

The event logger is a FIFO (First In/First Out) memory for logging alarm events and operation states of the unit. The capacity of the event logger is 15 entries. Additional event messages overwrite the oldest messages. Since the easYgen-300 units do not include a clock module, the operating hours are stored with each event logger entry as the timestamp.

The individual alarm messages, which are stored in the event history, are described in detail under Alarm Messages on page 41. The operation states, which are stored in the event history, are listed in Table 11-1 on page 100.



NOTE

The event logger cannot be read out directly from the front of the unit. It can only be read out using the program GetEventLog, which can either be used as a stand alone or within LeoPC1.

GetEventLog Software



Installing GetEventLog

GetEventLog can either be used as a stand alone or within LeoPC1. In order to call it up from LeoPC1, it must be installed into the LeoPC1 installation path.

To install GetEventLog, start GetEventLog_vxxxxx.exe from the GetEventLog directory on the CD delivered with the unit.

If you want to use GetEventLog from inside LeoPC1, it must be installed into the LeoPC1 installation directory.

Starting GetEventLog

Connect the easYgen to a free COM port on your computer using the DPC as described under Configuration Using the PC on page 67.

Start GetEventLog directly or call it up by selecting GetEventLog from the menu Tools in LeoPC1.

After starting GetEventLog for the first time, you must configure the communication settings. To do this, select the Interface tab, configure the COM port according to the port, to which you have connected the DPC, and enter the other settings as represented in figure Figure 11-1 since these are the default settings of the easYgen-300.

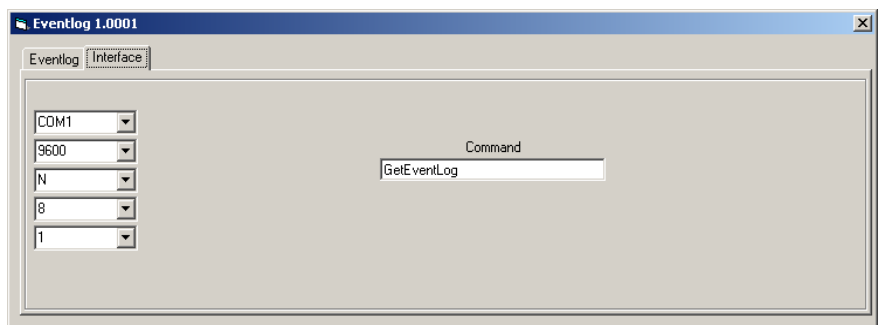


Figure 11-1: GetEventLog - interface configuration

Reading Out GetEventLog

On the Eventlog tab of GetEventLog, click the Request Eventlog button to read out the content of the event logger memory. The content of the event logger is displayed as shown in Figure 11-2.

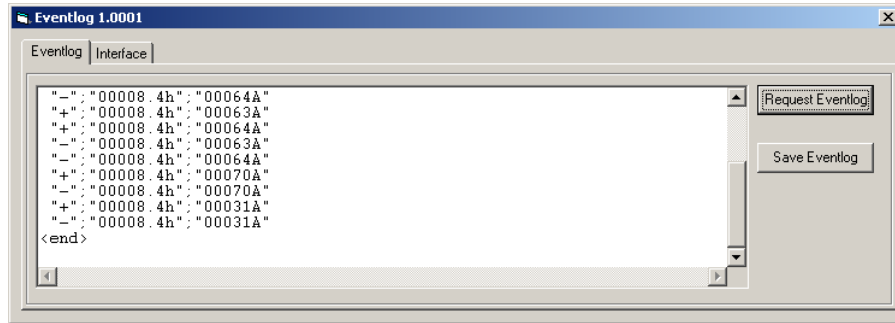


Figure 11-2: GetEventLog - event logger content

The 15 latest events are displayed in chronological order and each entry is composed like this:

"sign";"operating hour";"alarm/state"

whereas **"sign"+"** indicates the occurrence and **"-"** indicates the disappearance or acknowledgement of the alarm or state

"operating hour" serves as a timestamp and indicates the operating hour of the event occurred

"alarm/state" indicates the type of alarm or change of state that occurred

The alarm codes are the same as displayed on the unit and described under Alarm Messages on page 41. The codes for the operation states are indicated in Table 11-1 below.

Example: The entry **"+";"00008.4h";"00031A"** means that alarm 31A unintended stop **"00031A"** occurred **"+"** at operating hour 8.4 **"00008.4h"**. The operating hours are indicated in decimals, i.e. 8.4 hours are 8 hours and 24 minutes.

Number	Operation state	[320]	[320X]	[350]	[350X]
70	Mode: Automatic	✓	✓	✓	✓
71	Mode: Stop	✓	✓	✓	✓
72	Mode: Manual	✓	✓	✓	✓
73	GCB closed	✓	✓	✓	✓
74	GCB opened	✓	✓	✓	✓
75	MCB closed	---	---	✓	✓
76	MCB opened	---	---	✓	✓
77	Mains not in range	---	---	✓	✓
78	Emergency mode active	---	---	✓	✓
79	Engine run	✓	✓	✓	✓

Table 11-1: Event logger - operation states

Storing Event Logger Data

Using the Save Eventlog button on the Eventlog tab, you are able to save the content of the event logger in CSV format (comma separated values).

Resetting the Event Logger

The event logger can only be reset using LeoPC1. To do this, perform the following steps:

Connect the easYgen with your PC and start LeoPC1 as described in Configuration Using the PC on page 67.

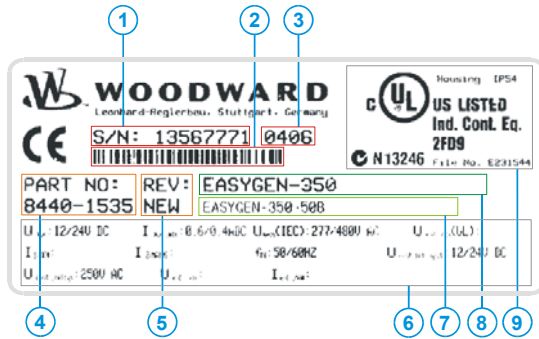
Set the parameter Factory settings to YES.

Set the parameter Clear Even Log to YES.

The event logger should be cleared.

Chapter 12. Technical Data

Name plate



(Example for a typical name plate)

1	S/N	Serial number (numerical)
2	S/N	Serial number (Barcode)
3	S/N	Date of production (YYMM)
4	P/N	Item number
5	REV	Item revision number
6	Details	Technical data
7	Type	Unit name
8	Type	Extended description
9	UL	UL sign

Measuring values

Measuring voltages

480 Vac

Rated value (Vn)	277/480 Vac
Maximum value (Vmax)	max. 346/600 Vac
Rated voltage phase – ground	300 Vac
Rated surge voltage	4.0 kV

- Linear measuring range $1.3 \times V_n$
- Measuring frequency

Generator	15.0 to 85.0 Hz
Mains	40.0 to 85.0 Hz
- Accuracy Class 1
- Input resistance per path 2.0 MΩ
- Maximum power consumption per path < 0.15 W

Ambient variables

- Power supply 12/24 Vdc (6.5 to 32.0 Vdc)
 Battery ground (terminal 1) must be grounded to the chassis
- Intrinsic consumption max. 10 W
- Degree of pollution 2
- Ambient temperature

Storage	-20 to +85 °C / -4 to +185 °F
Operation	-20 to +70 °C / -4 to +158 °F
- Ambient humidity 95 %, non condensing

Discrete inputs

- Input range (V_{Cont, digital input}) Rated voltage 12/24 Vdc (6.5 to 32.0 Vdc)
- Input resistance approx. 6.7 kΩ

Relay outputs

- Contact material AgCdO
- General purpose (GP) (V_{Cont, relay output})

AC	2.00 Aac@250 Vac
DC	2.00 Adc@24 Vdc
	0.36 Adc@125 Vdc
	0.18 Adc@250 Vdc
- Pilot duty (PD) (V_{Cont, relay output})

AC	B300
DC	1.00 Adc@24 Vdc
	0.22 Adc@125 Vdc
	0.10 Adc@250 Vdc

MPU Input ----- capacitive isolated

- Input impedancemin. approx. 17 kΩ
- Input voltage875 mV eff.

Pre-exciter current output D+ -----

- Max. exciter current
 - 12 Vdc (terminal 4)..... 0.11 Adc
 - 24 Vdc (terminal 3)..... 0.11 Adc

Note: The charging alternator D+ acts as an output for pre-exciting the charging alternator during engine start-up only. During regular operation, it acts as an input for monitoring the charging voltage.

Interface -----

- Service interfacenon isolated**
 - VersionRS-232
 - Signal level..... 5V
 - Level conversion and insulation by using DPC (P/N 5417-557)

- CAN bus interfaceisolated**
 - Insulation voltage..... 1,500 Vdc
 - Version.....CAN bus
 - Internal line termination.....Not available

Housing -----

- TypeWoodward easYpack 158x158
- Dimensions (W × H × D)..... 158 × 158 × 40 mm
- Front cutout (W × H) 138 [+1.0] × 138 [+1.0] mm
- Connectionscrew and plug terminals 2.5 mm²
- Recommended tightening torque
 - Connectors 0.5 Nm
 - Housing clamps 0.1 Nm
 - use only 60/75 °C copper leads
 - use only class 1 cables (or similar)
- Weight..... approx. 450 g

Vibration -----

- Sinusoidal4 G, 5 Hz to 100 Hz
- Endurance 4 G, 30 Hz, 1.5 h
- Random 1.04 Grms, 10 Hz to 500 Hz, 2 h

Shock -----

- Shock 40 G peak, 11 ms

Protection -----

- Protection system IP54 from front for proper installation with gasket pending
- Front folioinsulating surface
- EMC test (CE)..... tested according to applicable EN guidelines
- Listings..... CE marking; UL listing for ordinary locations pending
- Type approval UL/cUL, Ordinary Locations, File No.: 231544

Standards-----

- Shock EN 60255-21-2
- Vibration EN 60255-21-1; EN 60255-21-3
- Temperature IEC 60068-2-30; IEC 60068-2-2; IEC 60068-2-1

Chapter 13.

Accuracy

Measuring value		Display	Accuracy	Notes
Frequency				
Generator	$f_{L1N}, f_{L2N}, f_{L3N}$	15.0 to 85.0 Hz	0.1 %	-
Mains	$f_{L1N}, f_{L2N}, f_{L3N}$	40.0 to 85.0 Hz	0.1 %	-
Voltage				
Generator	$V_{L1N}, V_{L2N}, V_{L3N},$	0 to 600 V	1 %	Transformer ratio selectable
Mains	$V_{L1N}, V_{L2N}, V_{L3N},$	0 to 600 V	1 %	Transformer ratio selectable
Miscellaneous				
Operating hours		0 to 99,999.9 h		-
Maintenance call		0 to 9,999 h		-
Start counter		0 to 65,535		-
Battery voltage		6.5 to 32 V	1 %	-
MPU speed		$f_n \pm 40 \%$		-

Reference conditions (to measure the accuracy):

- Input voltage.....sinusoidal rated voltage
- Frequencyrated frequency $\pm 2 \%$
- Power supplyrated voltage $\pm 2 \%$
- Ambient temperature23 °C ± 2 K
- Warm-up period20 minutes

Appendix A. Common

Alarm Classes

The easYgen-300 series provides only the alarm classes B & F:

Alarm class	Visible in the display	LED "Alarm" & horn	Relay "Close GCB" is de-energized	Shut-down engine	Engine blocked until ack. sequence has been passed
B	yes	yes	---	---	---
	Warning Alarm This alarm does not interrupt the operation. An output of the centralized alarm occurs: ⇒ Alarm text + flashing LED "Alarm" + Relay centralized alarm (horn).				
F	yes	yes	yes	immediately	yes
	Responding Alarm With this alarm the GCB is opened immediately and the engine is stopped. ⇒ Alarm text + flashing LED "Alarm" + Relay centralized alarm (horn)+ GCB open + Engine stop.				

The alarm classes A, C, D, & E can be configured, but are intended for future software revisions **and should not be used**. The behavior of the unit is the following if configured for these alarm classes:

Alarm class	Visible in the display	LED "Alarm" & horn	Relay "Close GCB" is de-energized	Shut-down engine	Engine blocked until ack. sequence has been passed
A	yes	no	no	no	no
	Warning Alarm This alarm does not interrupt the unit operation. A message output without a centralized alarm occurs at the unit: ⇒ Alarm text.				
C	yes	yes	yes	after cool down	yes
	Responding Alarm With this alarm the GCB is opened and the engine is stopped. Coasting occurs. ⇒ Alarm text + flashing LED "Alarm" + Relay centralized alarm (horn) + Coasting + GCB open + Engine stop.				
D	yes	yes	yes	after cool down	yes
	Responding Alarm With this alarm the GCB is opened and the engine is stopped. Coasting occurs. ⇒ Alarm text + flashing LED "Alarm" + Relay centralized alarm (horn) + Coasting + GCB open + Engine stop.				
E	yes	yes	yes	immediately	yes
	Responding Alarm With this alarm the GCB is opened immediately and the engine is stopped. ⇒ Alarm text + flashing LED "Alarm" + Relay centralized alarm (horn)+ GCB open + Engine stop.				



NOTE

If the control unit is in **MANUAL** operation mode, a cool down phase is not performed regardless of the alarm class!

Conversion Factors and Charts



Conversion Factors: Temperature

$^{\circ}\text{C} \Leftrightarrow ^{\circ}\text{F}$	$^{\circ}\text{F} \Leftrightarrow ^{\circ}\text{C}$
$1\ ^{\circ}\text{F} = ([\text{Value } ^{\circ}\text{C}] \times 1.8\ ^{\circ}\text{F}/^{\circ}\text{C}) + 32\ ^{\circ}\text{F}$	$1\ ^{\circ}\text{C} = \frac{([\text{Value}]\ ^{\circ}\text{F} - 32\ ^{\circ}\text{F})}{1.8\ ^{\circ}\text{F}/^{\circ}\text{C}}$

Table 13-1: Conversion factor: temperature

Conversion Factors: Pressure

$\text{bar} \Leftrightarrow \text{psi}$	$\text{psi} \Leftrightarrow \text{bar}$
$1\ \text{psi} = [\text{Value}] \text{ bar} \times 14.501$	$1\ \text{bar} = \frac{[\text{Value}] \text{ psi}}{14.501}$

Table 13-2: Conversion factor: pressure

Conversion Chart: Wire Size

AWG	mm ²	AWG	mm ²	AWG	mm ²	AWG	mm ²	AWG	mm ²	AWG	mm ²
30	0.05	21	0.38	14	2.5	4	25	3/0	95	600MCM	300
28	0.08	20	0.5	12	4	2	35	4/0	120	750MCM	400
26	0.14	18	0.75	10	6	1	50	300MCM	150	1000MCM	500
24	0.25	17	1.0	8	10	1/0	55	350MCM	185		
22	0.34	16	1.5	6	16	2/0	70	500MCM	240		


Table 13-3: Conversion chart: wire size

Appendix B. J1939 Protocol Descriptions

Visualizing J1939 Measuring Values with LeoPC1



These J1939 measuring values are received by the easYgen via CAN bus from the ECU and visualized in LeoPC1 using direct configuration. The PC/laptop running LeoPC1 must be connected to the easYgen via the DPC interface (refer to page 32).

 **NOTE** The values are displayed on the unit with less accuracy. Refer to J1939 Visualization [320X], [350X] on page 40 for more information.

J1939 Standard Measuring Values

Name			Unit	Value in LeoPC1 with defective sensor	Value in LeoPC1 with missing sensor value
SPN	PGN	Description in J1939 protocol			
190	61444	Engine speed	0.1 rpm	214748364.6rpm	214748364.7rpm
247	65253	Total engine hours	1 h	2147483646h	2147483647h
110	65262	Engine coolant temperature	°C	32766°C	32767°C
174	65262	Fuel temperature	1°C	32766°C	32767°C
175	65262	Engine oil temperature	0.01°C	21474836.46°C	21474836.47°C
100	65263	Engine oil pressure	1kPa	65534kPa	65535kPa
111	65263	Coolant level	0.1%	6553.4%	6553.5%
91	61443	Throttle position	0.1%	6553.4%	6553.5%
92	61443	Load at current speed	1%	65534%	65535%
513	61444	Actual engine torque	1%	32766%	32767%
98	65263	Engine oil level	0.1%	6553.4%	6553.5%
183	65266	Fuel rate	0.01 l/h	21474836.46 L/h	21474836.47 L/h
108	65269	Barometric pressure	0.1kPa	65534kPa	65535kPa
172	65269	Air inlet temperature	1°C	32766°C	32767°C
102	65270	Boost pressure	1kPa	65534kPa	65535kPa
105	65270	Intake manifold temp.	1°C	32766°C	32767°C
173	65270	Exhaust gas temperature	0.001°C	21474836.46°C	21474836.47°C

SPN = Suspect Parameter Number; PGN = Parameter Group Number

Special EMR Messages

Type	Message acc. to EMR manual	Display in LeoPC1
0	Engine stop information	no stop
1	Engine safety	Type 1: Engine safety
2	CAN message engine stop request	Type 2: CAN message engine stop request
3	Low oil pressure	Type 3: low oil pressure
4	Low oil level	Type 4: low oil level
5	High coolant temp	Type 5: high coolant temp
6	Low coolant level	Type 6: low coolant level
7	Intake manifold temp	Type 7: intake manifold temp
8	Reserved (Stop via SAE-J1587)	Type 8: reserved (Stop via SAE-J1587)
9	Reserved (Stop via VP2)	Type 9: reserved (Stop via VP2)



NOTE

These parameters are only visible in LeoPC1 and are not displayed on the unit.

Special S6 Messages

Suspect Parameter Number	Parameter Group Number	Description	Display in LeoPC1
DLN2-Proprietary	65409 (FF81h)	Assessed messages: Low engine oil level High engine oil level Low oil pressure High coolant temperature	NO Sensor defect YES

If DLN2 does not transmit, "missing" is displayed in LeoPC1



NOTE

These parameters are only visible in LeoPC1 and are not displayed on the unit.

Appendix C. Front Customization

The easYgen-300 series is designed language-independent, but can be customized to your demands using paper strips. The left paper strip is intended for customization and may contain more detailed information about the display.

The right paper strip is divided in three parts. The lowest part serves for labeling the unit indicators (refer to Display of the Operating Values on page 36). You can customize the paper strip to reflect the unit of measure in your preferred language. The middle section serves for labeling the four configurable alarm flags (refer to Alarm Messages on page 41). You can customize the paper strip to reflect the alarm message assigned to the respective flag in your preferred language. The upper field is intended for customization and may contain more detailed information about the display.

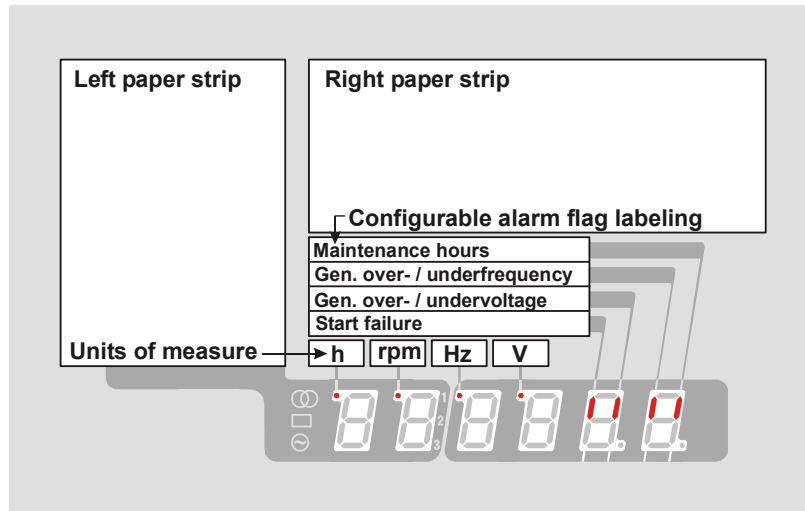


Figure 13-4: Paper strips

The unit is delivered with English paper strips, where the left paper strip contains the alarm messages and the right paper strip contains the units of measure in English, the default alarm messages for the alarm flags, and information about the configuration parameters in the upper section.

Templates for paper strips in different languages can be found in the "Paper Strips" directory on the CD delivered with the unit. The templates are in Microsoft Word format and can be customized to your demands. Please note that the paper strip geometry must not be modified in the templates. Just edit the text in the paper strips, print them out, cut out the paper strips where indicated, and insert them into the openings at the side of the unit.

Appendix D. Troubleshooting

If problems are encountered while commissioning or operating the easYgen-300, please refer to the troubleshooting table below and LeoPC1 prior to contacting Woodward for technical assistance. The most common problems and their solutions are described in the troubleshooting table. If problems are encountered between the easYgen-300 and its wiring and the engine or other devices, refer to the respective manuals for solving the problem.

Symptom	Possible cause	Possible solution	Verify
Unit does not power up.	Power supply outside operating range.	With power supply voltage connected to terminals 1(-) and 2(+) of the easYgen-300, measure the voltage at these terminals.	Voltage must be no less than 6.5 Volts and no greater than 32 Volts.
	Power supply polarity reversed.	With power supply voltage connected to terminals 1(-) and 2(+) of the easYgen-300, measure the voltage at these terminals.	Voltage measurement reads (+) polarity when meter is connected to terminal 1(-), and 2(+).
Alarm "60A - Oil pressure" occurs, after engine has fired.	Engine produces no oil pressure.	Check engine oil pressure.	Refer to chapter "Chapter 8 - Functional Description of the Oil Pressure Input DI1" for more information.
	Oil pressure sensor is miswired.	Check wiring of the oil pressure sensor.	A "Normally Closed" contact from the oil pressure sensor must be wired to terminals 16/15 on the easYgen-300. Refer to chapter "Chapter 8 - Functional Description of the Oil Pressure Input DI1" for more information.
	Incorrect oil pressure sensor is being used.	Verify the correct sensor is being used.	
	Oil pressure sensor is defective.	Check the oil pressure sensor.	Check oil pressure sensor for proper functionality and obstructions.
Alarm "61A – Coolant temperature" occurs after engine has fired.	Engine temperature is too high.	Check engine temperature.	Engine temperature must be within its specified range.
	Coolant temperature sensor is miswired.	Check wiring of the temperature sensor.	A "Normally Open" contact must be wired from the sensor to the easYgen-300 (terminals 17/15).
	Coolant temperature sensor is defective.	Check coolant temperature sensor.	Check coolant temperature sensor for proper functionality.
Engine does not start by pressing the "Start" button.	Unit is in operating mode "Stop" and the "Stop" LED is lit.	Unit must be in operating mode "Manual".	Press the "Operating Mode" button twice for selecting manual mode.
Engine does not start by setting the "Remote-Start" signal (discrete input 3).	Unit is in operating mode "Stop".	Unit must be in operating mode "Auto" to be started via "Remote-Start" signal.	Press the "Operating Mode" button for selecting "Auto" mode.
	Unit is in operating mode "Manual".	Unit must be in operating mode "Auto" to be started via "Remote-Start" signal.	Press the "Operating Mode" button for selecting "Auto" mode.
	"Remote-Start" signal is miswired to the easYgen-300.	Measure the voltage between terminals 18/15.	If you set the "Remote Start" signal, you should measure a voltage between terminals 18/15. If a voltage is present at these terminals, everything is wired correctly.

Symptom	Possible cause	Possible solution	Verify
"Generator Circuit Breaker Closed" LED is not lit, although the Circuit Breaker is closed.	"Generator Circuit Breaker Closed" signal is miswired.	Measure the voltage between terminals 20 and 15 on the easYgen-300.	If the circuit breaker is closed, you should measure around 0 Volts between terminals 20 and 15. If around 0 Volts are measured, the "Generator Circuit Breaker Closed" LED should be lit. If the circuit breaker is open, you should measure a voltage similar to the battery voltage in your system between terminals 20 and 15. In this case the "Generator Circuit Breaker Closed" LED must not be lit. Check whether you are using an N.C. contact as breaker aux. contact.
	Wrong setting of Parameter "Ignore Breaker Replies".	Use the Woodward "LeoPC1" configuration software to check for correct setting of the Parameter "Ignore Breaker Replies".	Within the LeoPC1 configuration software, the parameter "Ignore Breaker Replies" must be set to "No" to enable the MCB reply state to be visualized on the "Generator Circuit Breaker Closed" LED. If the parameter "Ignore Breaker Replies" is set to "Yes", the state of the CB reply will not be recognized!
"Mains Circuit Breaker Closed" LED is not lit, although the Circuit Breaker is closed.	"Mains Circuit Breaker Closed" signal is miswired.	Measure the voltage between terminals 19 and 15 on the easYgen-300.	If the circuit breaker is closed, you should measure around 0 Volts between terminals 19 and 15. If around 0 Volts are measured, the "Mains Circuit Breaker Closed" LED should be lit. If the circuit breaker is open, you should measure a voltage similar to the battery voltage in your system between terminals 19 and 15. In this case the "Mains Circuit Breaker Closed" LED must not be lit. Check whether you are using an N.C. contact as breaker aux. contact.
	Wrong setting of Parameter "Ignore Breaker Replies".	Use the Woodward "LeoPC1" configuration software to check for correct setting of the Parameter "Ignore Breaker Replies".	Within the LeoPC1 configuration software, the parameter "Ignore Breaker Replies" must be set to "No" to enable the MCB reply state to be visualized on the "Mains Circuit Breaker Closed" LED. If the parameter "Ignore Breaker Replies" is set to "Yes", the state of the CB reply will not be recognized!

Symptom	Possible cause	Possible solution	Verify
Alarm "30A - Start fail" occurs.	Low fuel situation.	Check, if enough Fuel is present to run the engine.	Fuel level is above fuel pick-up and fuel system is properly primed
	Fuel line connection to the engine is not present.	Check whether the fuel line to engine is installed properly.	No leaks in fuel system and system is primed
	Generator produces no voltage.	Check, if the generator is excited properly.	While the crank is engaged the generator shall produce voltage.
	Fuel relay output of the easYgen-300 is defective or miswired.	Measure the resistance between terminals 13 and 11 on the easYgen-300.	Case 1, Parameter "Fuel Relay Logic" is set to "Open to Stop": If engine is not started, the resistance between terminals 13 and 11 must be around infinite Ohms. If the easYgen-300 performs an start, the resistance between terminals 13 and 11 must be around 0 Ohms. Case 2, Parameter "Fuel Relay Logic" is set to "Close to Stop": If engine is not started, the resistance between terminals 13 and 11 must be around 0 Ohms. If the easYgen-300 performs an start, the resistance between terminals 13 and 11 must be around infinite Ohms.
	Crank Relay output of the easYgen-300 is defective or miswired.	Measure the resistance between terminals 14 and 11 on the easYgen-300.	If engine is not started, the resistance between terminals 14 and 11 must be around infinite Ohms. If the easYgen-300 performs an start, the resistance between terminals 14 and 11 must be around 0 Ohms.
	Pickup Sensor is miswired to the easYgen-300.	Check whether the Pickup sensor is properly wired to terminals 37(GND) and 38(+) on the easYgen-300.	The easYgen-300 requires 2 Vac for the MPU during cranking cycle. If this voltage is not achieved perhaps the gap between the pickup and the gear is too much.
Parameter crank cutout speed is set too low	The crank cutout speed must be between the cranking speed and the normal operating speed of the engine	Measure engine speed when cranking engines, before ignition.	
Starter is not engaged.	Starting relay output of the easYgen-300 is defective or miswired.	Measure the resistance between terminals 14 and 11 on the easYgen-300.	If engine is not running, the resistance between terminals 14 and 11 should read infinite Ohms. If the easYgen-300 performs a start, the resistance between terminals 14 and 11 must be around 0 Ohms.

Symptom	Possible cause	Possible solution	Verify
Alarm "21A - Underspeed" occurs, after engine has fired.	Pickup Sensor is miswired to the easYgen-300.	Check whether the pickup sensor is properly wired to terminals 37 (GND) and 38(+) on the easYgen-300.	The easYgen-300 requires 2 Vac for the MPU during cranking cycle. If this voltage is not achieved perhaps the gap between the pickup and the gear is too much.
	Pickup Sensor is defective.	Check the pickup sensor for proper functionality.	The easYgen-300 requires 2 Vac for the MPU during cranking cycle. If this voltage is not achieved perhaps the gap between the pickup and the gear is too much.
	Engine has stalled.	Check to see if engine fuel level is too low or fuel line is blocked or lost prime. Possible problem with engine air flow.	Troubleshoot engine fuel and air supply. Check air and fuel filters.
Alarm "13A - Generator undervoltage" occurs, after the engine has fired.	Generator voltages are not properly connected to the easYgen-300.	Check generator voltages if engine is started up.	Measure the generator voltages on the terminals 29 / 31 / 33 / 35 while the engine is running. (Please refer to the wiring diagram for your easYgen-300 derivate, because the terminal assignment is different from derivate to derivate.)
	Wrong wiring selected for the generator voltage measurement.	Use the LeoPC1 configuration software to check for settings of parameter "Generator voltage measuring"	Check, which wiring you have to use, and then set the parameter "Generator voltage measuring" via LeoPC1 to one of the following selections : - 1Ph2W - 1Ph3W - 3Ph3W - 3Ph4W Note: These wirings are only selectable in the easYgen-300/X units! See "Chapter 6 - Connections - Voltage measurement Generator" for further details.
	Voltage regulator is not set correctly	Adjust voltage regulator rated voltage or remote voltage setting.	

Symptom	Possible cause	Possible solution	Verify
CAN / J1939 Communication does not work.	The parameter for enabling the J1939 Communication is configured "Off" in the easYgen-300.	Check for setting of Parameter 90 "J1939 Device Type" in the configuration menu of the easYgen-300.	Parameter 90 "J1939 Device Type" must be set to a value greater than "1" to enable a J1939 / CAN communication. Refer to "Chapter 7 - Operation and Navigation - Configuration Displays" and "Parameters – Interfaces" for further information.
	Baud rate for CAN communication is set to a incorrect value.	Check that the correct baud rate is entered	The baud rate has to be the same for all devices connected to the CAN bus.
	Termination resistors are not correct.	Check whether the termination resistors are of the correct resistive value.	Refer to chapter "Connections - Interfaces" for further information on termination resistors.
	CAN connection is miswired.	Check whether the correct CAN lines are connected to terminals 39 (CAN-L) and 40 (CAN-H).	Refer to chapter "Connections - Interfaces" for further information on termination resistors.
	Wrong setting of parameter "Request send address".	Check whether you have selected the correct request send address.	Refer to chapter "Configuration Displays" and "Parameters – Interfaces" for further information.
	Wrong setting of parameter "Receive Device Number".	Check whether you have selected the correct receive device number.	Refer to chapter "Configuration Displays" and "Parameters – Interfaces" for further information.
Engine overspeeds on startup.	Engine governor is not set correctly.	Adjust governor settings for proper response.	Refer to governor manual.
	The Parameter for overspeed level is not set correctly.	Set the correct speed for overspeed.	
	The Parameter for Number of Pickup Teeth is not correct.	Check that this setting is correct for the engine.	Refer to engine specification.
Alarm 12 "Overvoltage" occurs on startup.	Voltage regulator is not set correctly	Adjust voltage regulator settings for proper response.	Refer to AVR manual.
Alarm "51A - Charge failure" occurs after the engine has fired, and the "Engine monitoring delay time" has expired.	Charge alternator is miswired to the easYgen-300.	If charge alternator with 24 Volts are used, connect it to terminals 1 (-) and 3 (+). If charge alternator with 12 Volts are used, connect it to terminals 1 (-) and 4 (+).	Please Refer to "Chapter 8 - Functional Description of the Charging Alternator Input/Output" for further information.
	Charge alternator polarity reversed.	With charge alternator connected to terminals 1 (-) and 3 (+) [for 24 Volt charge alternators] or 1 (-) and 4 (+) [for 12 Volt charge alternators] of the easYgen-300, measure the voltage at these terminals.	Voltage measurement reads (+) polarity when meter is connected to terminal 1 (-), and 3 (+) or 1 (-) and 4 (+). Please Refer to "Chapter 8 - Functional Description of the Charging Alternator Input/Output" for further information.
	Charge alternator defective.	Check charge alternator output.	Ensure charge alternator output is within specifications.

Appendix E. List of Parameters

Unit number P/N _____ Rev _____
 Version easYgen- _____
 Project _____
 Serial number S/N _____ Date _____

	Parameter	Setting range	Default value	Customer setting
--	-----------	---------------	---------------	------------------

PASSWORD				
	HMI Password	0000 to 9999	random	

MEASURING				
	Rated system frequency	50/60 Hz	50 Hz	
	Rated voltage generator	50 to 480 V	400 V	
[350] [350X]	Rated voltage mains	50 to 480 V	400 V	
[3x0X]	Generator voltage measuring	3Ph 4W 3Ph 3W 1Ph 2W 1Ph 3W	3Ph 4W	<input type="checkbox"/> 3Ph 4W <input type="checkbox"/> 3Ph 4W <input type="checkbox"/> 3Ph 3W <input type="checkbox"/> 3Ph 3W <input type="checkbox"/> 1Ph 2W <input type="checkbox"/> 1Ph 2W <input type="checkbox"/> 1Ph 3W <input type="checkbox"/> 1Ph 3W
[320] [350]	Generator voltage measuring	1Ph 2W	1Ph 2W	n/a n/a
[350X]	Mains voltage measuring	3Ph 4W 3Ph 3W 1Ph 2W 1Ph 3W	3Ph 4W	<input type="checkbox"/> 3Ph 4W <input type="checkbox"/> 3Ph 4W <input type="checkbox"/> 3Ph 3W <input type="checkbox"/> 3Ph 3W <input type="checkbox"/> 1Ph 2W <input type="checkbox"/> 1Ph 2W <input type="checkbox"/> 1Ph 3W <input type="checkbox"/> 1Ph 3W
[350]	Mains voltage measuring	3Ph 4W	3Ph 4W	n/a n/a

APPLICATION				
	Ignore CB reply	YES/NO	NO	<input type="checkbox"/> Y <input type="checkbox"/> N <input type="checkbox"/> Y <input type="checkbox"/> N
	2nd GCB Close Delay Time	0.00 to 650.00 s	0.20 s	
[350] [350X]	2nd MCB Close Delay Time	0.00 to 650.00 s	0.20 s	

ENGINE				
	Engine type: Diesel			
	Fuel relay	open to stop / close to stop	open to stop	<input type="checkbox"/> open <input type="checkbox"/> open <input type="checkbox"/> close <input type="checkbox"/> close
[320] [320X]	Preglow time	0 to 300 s	0 s	
[350] [350X]	Preglow time	0 to 300 s	3 s	
	MPU (pickup)			
[3x0X]	Speed Pickup	ON/OFF	ON	<input type="checkbox"/> 1 <input type="checkbox"/> 0 <input type="checkbox"/> 1 <input type="checkbox"/> 0
[3x0X]	Nominal speed	500 to 4,000 RPM	1,500 RPM	
[3x0X]	Number of gear teeth	5 to 260	118	
	Start/stop automatic			
	Starter time	1 to 10 s	8 s	
	Start pause time	10 to 99 s	10 s	
	Cool down time	0 to 999 s	30 s	
	Time of motor stop	0 to 99 s	30 s	
	Crank termination by DI1	YES/NO	NO	<input type="checkbox"/> Y <input type="checkbox"/> N <input type="checkbox"/> Y <input type="checkbox"/> N
	Engine Monit. delay time	0 to 99 s	8 s	

BREAKER				
	Transfer time GCBMCB	0.10 to 99.99 s	0.10 s	

	Parameter	Setting range	Default value	Customer setting	
--	-----------	---------------	---------------	------------------	--

EMERGENCY POWER (AMF)					
[350] [350X]	On/Off	ON/OFF	ON	<input type="checkbox"/> 1 <input type="checkbox"/> 0	<input type="checkbox"/> 1 <input type="checkbox"/> 0
[350] [350X]	Mains fail delay time	0.20 to 99.99 s	3.00 s		
[350] [350X]	Mains settling time	0 to 9,999 s	20 s		

MONITORING					
	Time until horn reset	0 to 1,000 s	180 s		
Generator protection					
	Voltage monitoring generator	4 phase	4 phase	n/a	n/a
Generator: Over frequency					
	Monitoring	ON	ON	n/a	n/a
	Limit	50.0 to 130.0 %	110.0 %		
	Delay	0.1 to 99.9 s	1.0 s		
	Alarm class	F	F	n/a	n/a
	Self acknowledge	NO	NO	n/a	n/a
Generator: Under frequency					
	Monitoring	ON	ON	n/a	n/a
	Limit	50.0 to 130.0 %	90.0 %		
	Delay	0.1 to 99.9 s	5.0 s		
	Alarm class	F	F	n/a	n/a
	Self acknowledge	NO	NO	n/a	n/a
	Delayed by engine speed	YES	YES	n/a	n/a
Generator: Over voltage					
	Monitoring	ON	ON	n/a	n/a
	Limit	50.0 to 125.0 %	110.0 %		
	Delay	0.1 to 99.9 s	2.0 s		
	Alarm class	F	F	n/a	n/a
	Self acknowledge	NO	NO	n/a	n/a
	Delayed by engine speed	NO	NO	n/a	n/a
Generator: Under voltage					
	Monitoring	ON	ON	n/a	n/a
	Limit	50.0 to 125.0 %	92.0 %		
	Delay	0.1 to 99.9 s	5.0 s		
	Alarm class	F	F	n/a	n/a
	Self acknowledge	NO	NO	n/a	n/a
	Delayed by engine speed	YES	YES	n/a	n/a
Mains protection					
[350] [350X]	Monitoring	ON / OFF	ON	<input type="checkbox"/> 1 <input type="checkbox"/> 0	<input type="checkbox"/> 1 <input type="checkbox"/> 0
[350] [350X]	Mains phase rotation	CW (+)/CCW (-)	CW	<input type="checkbox"/> + <input type="checkbox"/> -	<input type="checkbox"/> + <input type="checkbox"/> -
[350] [350X]	Delay	2 s	2 s	n/a	n/a
[350] [350X]	Alarm class	B	B	n/a	n/a
[350] [350X]	Self acknowledge	YES / NO	NO	<input type="checkbox"/> Y <input type="checkbox"/> N	<input type="checkbox"/> Y <input type="checkbox"/> N
[350] [350X]	Delayed by engine speed	NO	NO	n/a	n/a
Emergency power: Limits					
[350] [350X]	High voltage threshold	50.0 to 130.0 %	130.0 %		
[350] [350X]	Low voltage threshold	50.0 to 130.0 %	90.0 %		
[350] [350X]	Voltage hysteresis	0.0 to 50.0 %	2.0 %		
[350] [350X]	High frequency threshold	70.0 to 160.0 %	110.0 %		
[350] [350X]	Low frequency threshold	70.0 to 160.0 %	90.0 %		
[350] [350X]	Frequency hysteresis	0.0 to 50.0 %	2.0 %		

	Parameter	Setting range	Default value	Customer setting	
--	-----------	---------------	---------------	------------------	--

MONITORING

Engine: Overspeed					
[3x0X]	Monitoring	ON/OFF	ON	<input type="checkbox"/> 1 <input type="checkbox"/> 0	<input type="checkbox"/> 1 <input type="checkbox"/> 0
[3x0X]	Limit	0 to 9,999 RPM	1,850 RPM		
[3x0X]	Delay	0.1 s	0.1 s	n/a	n/a
[3x0X]	Alarm class	F	F	n/a	n/a
[3x0X]	Self acknowledge	NO	NO	n/a	n/a
[3x0X]	Delayed by engine speed	NO	NO	n/a	n/a
Engine: Underspeed					
[3x0X]	Monitoring	ON	ON	n/a	n/a
[3x0X]	Limit	1,000 RPM	1,000 RPM	n/a	n/a
[3x0X]	Delay	1.0 s	1.0 s	n/a	n/a
[3x0X]	Alarm class	F	F	n/a	n/a
[3x0X]	Self acknowledge	NO	NO	n/a	n/a
[3x0X]	Delayed by engine speed	YES	YES	n/a	n/a
Engine: Start fail					
	Monitoring	ON	ON	n/a	n/a
	Number of start attempts	3	3	n/a	n/a
	Alarm class	F	F	n/a	n/a
	Self acknowledge	NO	NO	n/a	n/a
Engine: Unintended stop					
	Monitoring	ON	ON	n/a	n/a
	Alarm class	F	F	n/a	n/a
Battery: Undervoltage					
	Monitoring	ON	ON	n/a	n/a
	Limit	8.0 to 42.0 V	10.0 V		
	Delay	60.0 s	60.0 s	n/a	n/a
	Alarm class	B	B	n/a	n/a
	Self acknowledge	NO	NO	n/a	n/a
	Delayed by engine speed	NO	NO	n/a	n/a
Battery: charge voltage					
	Monitoring	ON/OFF	ON	<input type="checkbox"/> 1 <input type="checkbox"/> 0	<input type="checkbox"/> 1 <input type="checkbox"/> 0
	Limit	0.0 to 32.0 V	16.0 V		
	Delay	10.0 s	10.0 s	n/a	n/a
	Alarm class	B	B	n/a	n/a
	Self acknowledge	NO	NO	n/a	n/a
	Delayed by engine speed	YES	YES	n/a	n/a
Interface: J1939					
[3x0X]	Monitoring	ON/OFF	OFF	<input type="checkbox"/> 1 <input type="checkbox"/> 0	<input type="checkbox"/> 1 <input type="checkbox"/> 0
[3x0X]	Delay	0.1 to 650.0 s	20.0 s		
[3x0X]	Alarm class	B/F	B		
[3x0X]	Self acknowledge	YES/NO	NO	<input type="checkbox"/> Y <input type="checkbox"/> N	<input type="checkbox"/> Y <input type="checkbox"/> N
[3x0X]	Delayed by engine speed	YES/NO	NO	<input type="checkbox"/> Y <input type="checkbox"/> N	<input type="checkbox"/> Y <input type="checkbox"/> N
Interface: J1939: amber warning lamp DM1					
[3x0X]	Monitoring	ON/OFF	OFF	<input type="checkbox"/> 1 <input type="checkbox"/> 0	<input type="checkbox"/> 1 <input type="checkbox"/> 0
[3x0X]	Delay	0.1 to 999.0 s	2.0 s		
[3x0X]	Alarm class	B/F	B		
[3x0X]	Self acknowledge	YES/NO	YES	<input type="checkbox"/> Y <input type="checkbox"/> N	<input type="checkbox"/> Y <input type="checkbox"/> N
[3x0X]	Delayed by engine speed	YES/NO	NO	<input type="checkbox"/> Y <input type="checkbox"/> N	<input type="checkbox"/> Y <input type="checkbox"/> N
Interface: J1939: red stop lamp DM1					
[3x0X]	Monitoring	ON/OFF	OFF	<input type="checkbox"/> 1 <input type="checkbox"/> 0	<input type="checkbox"/> 1 <input type="checkbox"/> 0
[3x0X]	Delay	0.1 to 999.0 s	2.0 s		
[3x0X]	Alarm class	B/F	B		
[3x0X]	Self acknowledge	YES/NO	YES	<input type="checkbox"/> Y <input type="checkbox"/> N	<input type="checkbox"/> Y <input type="checkbox"/> N
[3x0X]	Delayed by engine speed	YES/NO	NO	<input type="checkbox"/> Y <input type="checkbox"/> N	<input type="checkbox"/> Y <input type="checkbox"/> N

	Parameter	Setting range	Default value	Customer setting	
--	-----------	---------------	---------------	------------------	--

DISCRETE INPUTS					
Discrete input [DI1] oil pressure					
	DI 1 operation	N.O.	N.O.	n/a	n/a
	DI 1 delay	0.5 s	0.5 s	n/a	n/a
	DI 1 alarm class	F	F	n/a	n/a
	DI 1 delayed by eng. speed	YES	YES	n/a	n/a
	DI 1 self acknowledge	NO	NO	n/a	n/a
Discrete input [DI2] coolant temperature					
	DI 2 operation	N.O.	N.O.	n/a	n/a
	DI 2 delay	1.0 s	1.0 s	n/a	n/a
	DI 2 alarm class	F	F	n/a	n/a
	DI 2 delayed by eng. speed	YES	YES	n/a	n/a
	DI 2 self acknowledge	NO	NO	n/a	n/a
Discrete input [DI3] remote start					
	DI 3 operation	N.O.	N.O.	n/a	n/a
	DI 3 delay	0.02 s	0.02 s	n/a	n/a
	DI 3 alarm class	Control	Control	n/a	n/a
	DI 3 delayed by eng. speed	NO	NO	n/a	n/a
	DI 3 self acknowledge	NO	NO	n/a	n/a
Discrete input [DI4] reply MCB or freely configurable If parameter "Ignore CB reply" is set to "YES", this input is freely configurable					
	DI 4 operation	N.O. / N.C.	N.C.	<input type="checkbox"/> N.O. <input type="checkbox"/> N.C.	<input type="checkbox"/> N.O. <input type="checkbox"/> N.C.
	DI 4 delay	0.02 to 650.00 s	0.00 s		
	DI 4 alarm class	A/B/C/D/E/F/Control	Control		
	DI 4 delayed by eng. speed	YES/NO	NO	<input type="checkbox"/> Y <input type="checkbox"/> N	<input type="checkbox"/> Y <input type="checkbox"/> N
	DI 4 self acknowledge	YES/NO	YES	<input type="checkbox"/> Y <input type="checkbox"/> N	<input type="checkbox"/> Y <input type="checkbox"/> N
Discrete input [DI5] reply GCB or freely configurable If parameter "Ignore CB reply" is set to "YES", this input is freely configurable					
	DI 5 operation	N.O. / N.C.	N.C.	<input type="checkbox"/> N.O. <input type="checkbox"/> N.C.	<input type="checkbox"/> N.O. <input type="checkbox"/> N.C.
	DI 5 delay	0.02 to 650.00 s	0.00 s		
	DI 5 alarm class	A/B/C/D/E/F/Control	Control		
	DI 5 delayed by eng. speed	YES/NO	NO	<input type="checkbox"/> Y <input type="checkbox"/> N	<input type="checkbox"/> Y <input type="checkbox"/> N
	DI 5 self acknowledge	YES/NO	YES	<input type="checkbox"/> Y <input type="checkbox"/> N	<input type="checkbox"/> Y <input type="checkbox"/> N

DIGITAL OUTPUTS					
[350] [350X]	Relay 1	Command: open MCB	open MCB	n/a	n/a
	Relay 2	Command: close GCB	close GCB	n/a	n/a
[350] [350X]	Relay 3	one from configurable parameter list (see end of table)	Preglow		
	Relay 4	one from configurable parameter list (see end of table)	stopping alarm		
	Relay 5	Fuel relay	Fuel relay	n/a	n/a
	Relay 6	Starter	Starter	n/a	n/a
	Relay 7	internal relay			

COUNTER					
	Maintenance hours	0 to 9,999 h	300 h		
	Reset maintenance period h	YES/NO	NO	<input type="checkbox"/> Y <input type="checkbox"/> N	<input type="checkbox"/> Y <input type="checkbox"/> N
	Counter value preset	0 to 99,999.9 h	-		
	Set operation hours	YES/NO	NO	<input type="checkbox"/> Y <input type="checkbox"/> N	<input type="checkbox"/> Y <input type="checkbox"/> N
	Number of starts	0 to 65,535	-		

COMM. INTERFACES					
[3x0X]	CAN Interfaces				
	Baudrate	20/50/100/125/250/ 500/800/1000 kBd	125 kBd		
	J1939				
[3x0X]	Device type	Off/Standard/S6 Scania/EMR	Standard		
[3x0X]	Request send address	0 to 255	3		
[3x0X]	Receive device number	0 to 255	0		

Parameter	Setting range	Default value	Customer setting	
SYSTEM				
Codes				
Comissioning level code	0000 to 9999	0003		
Factory settings	ON / OFF	OFF	<input type="checkbox"/> 1 <input type="checkbox"/> 0	<input type="checkbox"/> 1 <input type="checkbox"/> 0
Clear event log	ON / OFF	OFF	<input type="checkbox"/> 1 <input type="checkbox"/> 0	<input type="checkbox"/> 1 <input type="checkbox"/> 0
Set default values	ON / OFF	OFF	<input type="checkbox"/> 1 <input type="checkbox"/> 0	<input type="checkbox"/> 1 <input type="checkbox"/> 0
Display level	1 to 3	1		
Flag 1 gen. overfreq. 1	YES/NO	NO	<input type="checkbox"/> Y <input type="checkbox"/> N	<input type="checkbox"/> Y <input type="checkbox"/> N
Flag 1 gen. underfreq. 1	YES/NO	NO	<input type="checkbox"/> Y <input type="checkbox"/> N	<input type="checkbox"/> Y <input type="checkbox"/> N
Flag 1 gen. overvolt. 1	YES/NO	NO	<input type="checkbox"/> Y <input type="checkbox"/> N	<input type="checkbox"/> Y <input type="checkbox"/> N
Flag 1 gen. undervolt. 1	YES/NO	NO	<input type="checkbox"/> Y <input type="checkbox"/> N	<input type="checkbox"/> Y <input type="checkbox"/> N
Flag 1 mains rot. field alarm	YES/NO	NO	<input type="checkbox"/> Y <input type="checkbox"/> N	<input type="checkbox"/> Y <input type="checkbox"/> N
Flag 1 overspeed 1	YES/NO	NO	<input type="checkbox"/> Y <input type="checkbox"/> N	<input type="checkbox"/> Y <input type="checkbox"/> N
Flag 1 underspeed 1	YES/NO	NO	<input type="checkbox"/> Y <input type="checkbox"/> N	<input type="checkbox"/> Y <input type="checkbox"/> N
Flag 1 unintended stop	YES/NO	NO	<input type="checkbox"/> Y <input type="checkbox"/> N	<input type="checkbox"/> Y <input type="checkbox"/> N
Flag 1 start fail	YES/NO	YES	<input type="checkbox"/> Y <input type="checkbox"/> N	<input type="checkbox"/> Y <input type="checkbox"/> N
Flag 1 maintenance hours exc.	YES/NO	NO	<input type="checkbox"/> Y <input type="checkbox"/> N	<input type="checkbox"/> Y <input type="checkbox"/> N
Flag 1 J1939 CAN Error	YES/NO	NO	<input type="checkbox"/> Y <input type="checkbox"/> N	<input type="checkbox"/> Y <input type="checkbox"/> N
Flag 1 Red stop lamp	YES/NO	NO	<input type="checkbox"/> Y <input type="checkbox"/> N	<input type="checkbox"/> Y <input type="checkbox"/> N
Flag 1 Amber warning lamp	YES/NO	NO	<input type="checkbox"/> Y <input type="checkbox"/> N	<input type="checkbox"/> Y <input type="checkbox"/> N
Flag 1 undervolt. aux. alt.	YES/NO	NO	<input type="checkbox"/> Y <input type="checkbox"/> N	<input type="checkbox"/> Y <input type="checkbox"/> N
Flag 1 undervolt. batt. 1	YES/NO	NO	<input type="checkbox"/> Y <input type="checkbox"/> N	<input type="checkbox"/> Y <input type="checkbox"/> N
Flag 1 DI 1	YES/NO	NO	<input type="checkbox"/> Y <input type="checkbox"/> N	<input type="checkbox"/> Y <input type="checkbox"/> N
Flag 1 DI 2	YES/NO	NO	<input type="checkbox"/> Y <input type="checkbox"/> N	<input type="checkbox"/> Y <input type="checkbox"/> N
Flag 1 DI 3	YES/NO	NO	<input type="checkbox"/> Y <input type="checkbox"/> N	<input type="checkbox"/> Y <input type="checkbox"/> N
Flag 1 DI 4	YES/NO	NO	<input type="checkbox"/> Y <input type="checkbox"/> N	<input type="checkbox"/> Y <input type="checkbox"/> N
Flag 1 DI 5	YES/NO	NO	<input type="checkbox"/> Y <input type="checkbox"/> N	<input type="checkbox"/> Y <input type="checkbox"/> N
Flag 2 gen. overfreq. 1	YES/NO	NO	<input type="checkbox"/> Y <input type="checkbox"/> N	<input type="checkbox"/> Y <input type="checkbox"/> N
Flag 2 gen. underfreq. 1	YES/NO	NO	<input type="checkbox"/> Y <input type="checkbox"/> N	<input type="checkbox"/> Y <input type="checkbox"/> N
Flag 2 gen. overvolt. 1	YES/NO	YES	<input type="checkbox"/> Y <input type="checkbox"/> N	<input type="checkbox"/> Y <input type="checkbox"/> N
Flag 2 gen. undervolt. 1	YES/NO	YES	<input type="checkbox"/> Y <input type="checkbox"/> N	<input type="checkbox"/> Y <input type="checkbox"/> N
Flag 2 mains rot. field alarm	YES/NO	NO	<input type="checkbox"/> Y <input type="checkbox"/> N	<input type="checkbox"/> Y <input type="checkbox"/> N
Flag 2 overspeed 1	YES/NO	NO	<input type="checkbox"/> Y <input type="checkbox"/> N	<input type="checkbox"/> Y <input type="checkbox"/> N
Flag 2 underspeed 1	YES/NO	NO	<input type="checkbox"/> Y <input type="checkbox"/> N	<input type="checkbox"/> Y <input type="checkbox"/> N
Flag 2 unintended stop	YES/NO	NO	<input type="checkbox"/> Y <input type="checkbox"/> N	<input type="checkbox"/> Y <input type="checkbox"/> N
Flag 2 start fail	YES/NO	NO	<input type="checkbox"/> Y <input type="checkbox"/> N	<input type="checkbox"/> Y <input type="checkbox"/> N
Flag 2 maintenance hours exc.	YES/NO	NO	<input type="checkbox"/> Y <input type="checkbox"/> N	<input type="checkbox"/> Y <input type="checkbox"/> N
Flag 2 J1939 CAN Error	YES/NO	NO	<input type="checkbox"/> Y <input type="checkbox"/> N	<input type="checkbox"/> Y <input type="checkbox"/> N
Flag 2 Red stop lamp	YES/NO	NO	<input type="checkbox"/> Y <input type="checkbox"/> N	<input type="checkbox"/> Y <input type="checkbox"/> N
Flag 2 Amber warning lamp	YES/NO	NO	<input type="checkbox"/> Y <input type="checkbox"/> N	<input type="checkbox"/> Y <input type="checkbox"/> N
Flag 2 undervolt. aux. alt.	YES/NO	NO	<input type="checkbox"/> Y <input type="checkbox"/> N	<input type="checkbox"/> Y <input type="checkbox"/> N
Flag 2 undervolt. batt. 1	YES/NO	NO	<input type="checkbox"/> Y <input type="checkbox"/> N	<input type="checkbox"/> Y <input type="checkbox"/> N
Flag 2 DI 1	YES/NO	NO	<input type="checkbox"/> Y <input type="checkbox"/> N	<input type="checkbox"/> Y <input type="checkbox"/> N
Flag 2 DI 2	YES/NO	NO	<input type="checkbox"/> Y <input type="checkbox"/> N	<input type="checkbox"/> Y <input type="checkbox"/> N
Flag 2 DI 3	YES/NO	NO	<input type="checkbox"/> Y <input type="checkbox"/> N	<input type="checkbox"/> Y <input type="checkbox"/> N
Flag 2 DI 4	YES/NO	NO	<input type="checkbox"/> Y <input type="checkbox"/> N	<input type="checkbox"/> Y <input type="checkbox"/> N
Flag 2 DI 5	YES/NO	NO	<input type="checkbox"/> Y <input type="checkbox"/> N	<input type="checkbox"/> Y <input type="checkbox"/> N

Parameter	Setting range	Default value	Customer setting
SYSTEM			
Flag 3 gen. overfreq. 1	YES/NO	YES	<input type="checkbox"/> Y <input type="checkbox"/> N <input type="checkbox"/> Y <input type="checkbox"/> N
Flag 3 gen. underfreq. 1	YES/NO	YES	<input type="checkbox"/> Y <input type="checkbox"/> N <input type="checkbox"/> Y <input type="checkbox"/> N
Flag 3 gen. overvolt. 1	YES/NO	NO	<input type="checkbox"/> Y <input type="checkbox"/> N <input type="checkbox"/> Y <input type="checkbox"/> N
Flag 3 gen. undervolt. 1	YES/NO	NO	<input type="checkbox"/> Y <input type="checkbox"/> N <input type="checkbox"/> Y <input type="checkbox"/> N
Flag 3 mains rot. field alarm	YES/NO	NO	<input type="checkbox"/> Y <input type="checkbox"/> N <input type="checkbox"/> Y <input type="checkbox"/> N
Flag 3 overspeed 1	YES/NO	NO	<input type="checkbox"/> Y <input type="checkbox"/> N <input type="checkbox"/> Y <input type="checkbox"/> N
Flag 3 underspeed 1	YES/NO	NO	<input type="checkbox"/> Y <input type="checkbox"/> N <input type="checkbox"/> Y <input type="checkbox"/> N
Flag 3 unintended stop	YES/NO	NO	<input type="checkbox"/> Y <input type="checkbox"/> N <input type="checkbox"/> Y <input type="checkbox"/> N
Flag 3 start fail	YES/NO	NO	<input type="checkbox"/> Y <input type="checkbox"/> N <input type="checkbox"/> Y <input type="checkbox"/> N
Flag 3 maintenance hours exc.	YES/NO	NO	<input type="checkbox"/> Y <input type="checkbox"/> N <input type="checkbox"/> Y <input type="checkbox"/> N
Flag 3 J1939 CAN Error	YES/NO	NO	<input type="checkbox"/> Y <input type="checkbox"/> N <input type="checkbox"/> Y <input type="checkbox"/> N
Flag 3 Red stop lamp	YES/NO	NO	<input type="checkbox"/> Y <input type="checkbox"/> N <input type="checkbox"/> Y <input type="checkbox"/> N
Flag 3 Amber warning lamp	YES/NO	NO	<input type="checkbox"/> Y <input type="checkbox"/> N <input type="checkbox"/> Y <input type="checkbox"/> N
Flag 3 undervolt. aux. alt.	YES/NO	NO	<input type="checkbox"/> Y <input type="checkbox"/> N <input type="checkbox"/> Y <input type="checkbox"/> N
Flag 3 undervolt. batt. 1	YES/NO	NO	<input type="checkbox"/> Y <input type="checkbox"/> N <input type="checkbox"/> Y <input type="checkbox"/> N
Flag 3 DI 1	YES/NO	NO	<input type="checkbox"/> Y <input type="checkbox"/> N <input type="checkbox"/> Y <input type="checkbox"/> N
Flag 3 DI 2	YES/NO	NO	<input type="checkbox"/> Y <input type="checkbox"/> N <input type="checkbox"/> Y <input type="checkbox"/> N
Flag 3 DI 3	YES/NO	NO	<input type="checkbox"/> Y <input type="checkbox"/> N <input type="checkbox"/> Y <input type="checkbox"/> N
Flag 3 DI 4	YES/NO	NO	<input type="checkbox"/> Y <input type="checkbox"/> N <input type="checkbox"/> Y <input type="checkbox"/> N
Flag 3 DI 5	YES/NO	NO	<input type="checkbox"/> Y <input type="checkbox"/> N <input type="checkbox"/> Y <input type="checkbox"/> N
Flag 4 gen. overfreq. 1	YES/NO	NO	<input type="checkbox"/> Y <input type="checkbox"/> N <input type="checkbox"/> Y <input type="checkbox"/> N
Flag 4 gen. underfreq. 1	YES/NO	NO	<input type="checkbox"/> Y <input type="checkbox"/> N <input type="checkbox"/> Y <input type="checkbox"/> N
Flag 4 gen. overvolt. 1	YES/NO	NO	<input type="checkbox"/> Y <input type="checkbox"/> N <input type="checkbox"/> Y <input type="checkbox"/> N
Flag 4 gen. undervolt. 1	YES/NO	NO	<input type="checkbox"/> Y <input type="checkbox"/> N <input type="checkbox"/> Y <input type="checkbox"/> N
Flag 4 mains rot. field alarm	YES/NO	NO	<input type="checkbox"/> Y <input type="checkbox"/> N <input type="checkbox"/> Y <input type="checkbox"/> N
Flag 4 overspeed 1	YES/NO	NO	<input type="checkbox"/> Y <input type="checkbox"/> N <input type="checkbox"/> Y <input type="checkbox"/> N
Flag 4 underspeed 1	YES/NO	NO	<input type="checkbox"/> Y <input type="checkbox"/> N <input type="checkbox"/> Y <input type="checkbox"/> N
Flag 4 unintended stop	YES/NO	NO	<input type="checkbox"/> Y <input type="checkbox"/> N <input type="checkbox"/> Y <input type="checkbox"/> N
Flag 4 start fail	YES/NO	NO	<input type="checkbox"/> Y <input type="checkbox"/> N <input type="checkbox"/> Y <input type="checkbox"/> N
Flag 4 maintenance hours exc.	YES/NO	YES	<input type="checkbox"/> Y <input type="checkbox"/> N <input type="checkbox"/> Y <input type="checkbox"/> N
Flag 4 J1939 CAN Error	YES/NO	NO	<input type="checkbox"/> Y <input type="checkbox"/> N <input type="checkbox"/> Y <input type="checkbox"/> N
Flag 4 Red stop lamp	YES/NO	NO	<input type="checkbox"/> Y <input type="checkbox"/> N <input type="checkbox"/> Y <input type="checkbox"/> N
Flag 4 Amber warning lamp	YES/NO	NO	<input type="checkbox"/> Y <input type="checkbox"/> N <input type="checkbox"/> Y <input type="checkbox"/> N
Flag 4 undervolt. aux. alt.	YES/NO	NO	<input type="checkbox"/> Y <input type="checkbox"/> N <input type="checkbox"/> Y <input type="checkbox"/> N
Flag 4 undervolt. batt. 1	YES/NO	NO	<input type="checkbox"/> Y <input type="checkbox"/> N <input type="checkbox"/> Y <input type="checkbox"/> N
Flag 4 DI 1	YES/NO	NO	<input type="checkbox"/> Y <input type="checkbox"/> N <input type="checkbox"/> Y <input type="checkbox"/> N
Flag 4 DI 2	YES/NO	NO	<input type="checkbox"/> Y <input type="checkbox"/> N <input type="checkbox"/> Y <input type="checkbox"/> N
Flag 4 DI 3	YES/NO	NO	<input type="checkbox"/> Y <input type="checkbox"/> N <input type="checkbox"/> Y <input type="checkbox"/> N
Flag 4 DI 4	YES/NO	NO	<input type="checkbox"/> Y <input type="checkbox"/> N <input type="checkbox"/> Y <input type="checkbox"/> N
Flag 4 DI 5	YES/NO	NO	<input type="checkbox"/> Y <input type="checkbox"/> N <input type="checkbox"/> Y <input type="checkbox"/> N
Versions			
Serial number	Info	---	
Boot item number	Info	---	
Boot revision	Info	---	
Boot version	Info	---	
Program item number	Info	---	
Program revision	Info	---	
Program version	Info	---	

[3x0X] applies only to easYgen-320X and 350X

[350] applies only to easYgen-350

[350X] applies only to easYgen-350X

The output signals, which may be selected from the list of configurable parameters for the discrete outputs 3 and 4, are listed in Table 10-1 on page 93.



NOTE

All parameters shaded in gray color are fixed parameters and cannot be configured by the operator. The "light gray" parameters for DI4 and DI 5 can be configured if the parameter "Ignore CB reply" is set to "YES".

Appendix F. Service Options



Product Service Options



The following factory options are available for servicing Woodward equipment, based on the standard Woodward Product and Service Warranty (5-01-1205) that is in effect at the time the product is purchased from Woodward or the service is performed. If you are experiencing problems with installation or unsatisfactory performance of an installed system, the following options are available:

- Consult the troubleshooting guide in the manual.
- Contact Woodward technical assistance (see "How to Contact Woodward" later in this chapter) and discuss your problem. In most cases, your problem can be resolved over the phone. If not, you can select which course of action you wish to pursue based on the available services listed in this section.

Returning Equipment For Repair



If a control (or any part of an electronic control) is to be returned to Woodward for repair, please contact Woodward in advance to obtain a Return Authorization Number. When shipping the unit(s), attach a tag with the following information:

- name and location where the control is installed;
- name and phone number of contact person;
- complete Woodward part numbers (P/N) and serial number (S/N);
- description of the problem;
- instructions describing the desired repair.



CAUTION

To prevent damage to electronic components caused by improper handling, read and observe the precautions in Woodward manual 82715, *Guide for Handling and Protection of Electronic Controls, Printed Circuit Boards, and Modules*.

Packing a Control

Use the following materials when returning a complete control:

- protective caps on any connectors
- antistatic protective bags on all electronic modules
- packing materials that will not damage the surface of the unit
- at least 100 mm (4 inches) of tightly packed, industry-approved packing material
- a packing carton with double walls
- a strong tape around the outside of the carton for increased strength

Return Authorization Number RAN

When returning equipment to Woodward, please telephone and ask for the Customer Service Department in Stuttgart [+49 (0) 711 789 54-0]. They will help expedite the processing of your order through our distributors or local service facility. To expedite the repair process, contact Woodward in advance to obtain a Return Authorization Number, and arrange for issue of a purchase order for the unit(s) to be repaired. No work can be started until a purchase order is received.



NOTE

We highly recommend that you make arrangement in advance for return shipments. Contact a Woodward customer service representative at +49 (0) 711 789 54-0 for instructions and for a Return Authorization Number.

Replacement Parts



When ordering replacement parts for controls, include the following information:

- the part numbers P/N (XXXX-XXX) that is on the enclosure nameplate
- the unit serial number S/N, which is also on the nameplate

How To Contact Woodward



Please contact following address if you have questions or if you want to send a product for repair:

Woodward GmbH
Handwerkstrasse 29
70565 Stuttgart - Germany

Phone: +49 (0) 711 789 54-0 (8:00 - 16:30 German time)
Fax: +49 (0) 711 789 54-100
email: stgt-info@woodward.com

For assistance outside Germany, call one of the following international Woodward facilities to obtain the address and phone number of the facility nearest your location where you will be able to get information and service.

Facility	Phone number
USA	+1 (970) 482 5811
India	+91 (129) 409 7100
Brazil	+55 (19) 3708 4800
Japan	+81 (476) 93 4661
The Netherlands	+31 (23) 566 1111

You can also contact the Woodward Customer Service Department or consult our worldwide directory on Woodward's website (www.woodward.com) for the name of your nearest Woodward distributor or service facility. [For worldwide directory information, go to www.woodward.com/ic/locations.]

Engineering Services



Woodward Industrial Controls Engineering Services offers the following after-sales support for Woodward products. For these services, you can contact us by telephone, by e-mail, or through the Woodward website.

- Technical support
- Product training
- Field service during commissioning

Technical Support is available through our many worldwide locations, through our authorized distributors, or through GE Global Controls Services, depending on the product. This service can assist you with technical questions or problem solving during normal business hours. Emergency assistance is also available during non-business hours by phoning our toll-free number and stating the urgency of your problem. For technical engineering support, please contact us via our toll-free or local phone numbers, e-mail us, or use our website and reference technical support.

Product Training is available on-site from several of our worldwide facilities, at your location, or from GE Global Controls Services, depending on the product. This training, conducted by experienced personnel, will assure that you will be able to maintain system reliability and availability. For information concerning training, please contact us via our toll-free or local phone numbers, e-mail us, or use our website and reference *customer training*.

Field Service engineering on-site support is available, depending on the product and location, from our facility in Colorado, or from one of many worldwide Woodward offices or authorized distributors. Field engineers are experienced on both Woodward products as well as on much of the non-Woodward equipment with which our products interface. For field service engineering assistance, please contact us via our toll-free or local phone numbers, e-mail us, or use our website and reference *field service*.

Technical Assistance



If you need to telephone for technical assistance, you will need to provide the following information. Please write it down here before phoning:

Contact

Your company _____

Your name _____

Phone number _____

Fax number _____

Control (see name plate)

Unit no. and revision: P/N: _____ REV: _____

Unit type easYgen- _____

Serial number S/N _____

Description of your problem

Please be sure you have a list of all parameters available. You can print this using LeoPC1. Additionally you can save the complete set of parameters (standard values) and send them to our Service department via e-mail.

We appreciate your comments about the content of our publications.
Please send comments to: stgt-documentation@woodward.com
Please include the manual number from the front cover of this publication.



Woodward GmbH
Handwerkstrasse 29 - 70565 Stuttgart - Germany
Phone +49 (0) 711 789 54-0 • Fax +49 (0) 711 789 54-100
stgt-info@woodward.com

Homepage

<http://www.woodward.com/power>

Woodward has company-owned plants, subsidiaries, and branches, as well as authorized distributors and other authorized service and sales facilities throughout the world.

Complete address/phone/fax/e-mail information
for all locations is available on our website (www.woodward.com).

2008/12/Stuttgart